

Publication number : 2002-122870

Date of publication of application : 26.04.2002

Int.Cl. G02F 1/1339 C09K 19/30 G02F 1/13

5 G02F 1/1341 G02F 1/1345

Application number : 2000-314130

Applicant : FUJITSU LTD

Date of filing : 13.10.2000

10 Inventor :

TASHIRO KUNIHURO

YOSHIMI TAKUYA

TSUDA HIDEAKI

NAKAMURA KIMIYAKI

15

LIQUID CRYSTAL DISPLAY DEVICE, METHOD OF MANUFACTURING THE
SAME AND DEVICE FOR DROPPING LIQUID CRYSTAL

[Abstract]

20 **PROBLEM TO BE SOLVED:** To enable the quantity of a liquid crystal
dropped in a dropping injection method to be precisely measured and
controlled, at the same time to restrain the viscosity of the liquid crystal
so as to be low by using a liquid crystal material most suited for the
dropping injection method, to accelerate the response speed, especially

half-tone response speed and to simply manufacture a liquid crystal display device in an excellent yield.

SOLUTION: A frame pattern is formed by applying a sealing material 21 to the peripheral part of a picture display region provided on one (a

5 substrate 22) out of a pair of substrates. The liquid crystal is dropped inside the frame pattern and the substrates are attached to each other.

Aiming at the liquid crystal display device by hardening the sealing material 21, the sealing material 21 is applied so as to position a starting point 31a and an end point 31b of the sealing material application outside

10 the frame pattern.

[Claim(s)]

[Claim 1] A method of manufacturing a liquid crystal display device, in

which a frame pattern is formed by applying a sealing material to the

peripheral part of a picture display region provided on one out of a pair of

5 substrates, the liquid crystal is dropped inside the frame pattern and the

substrates are attached to each other, and the sealing material is

hardened, wherein the sealing material is applied so as to position a

starting point and an end point of the sealing material application outside

the frame pattern.

10 [Claim 2] A method of manufacturing a liquid crystal display

device, in which a frame pattern is formed by applying a sealing material

to the peripheral part of a picture display region provided on one out of a

pair of substrates, the liquid crystal is dropped inside the frame pattern
and the substrates are attached to each other, and the sealing material is
hardened, wherein in order to conduct the pair of substrates, ultraviolet
rays formed of parallel rays for hardening resin are irradiated in spots
5 onto a transfer seal, formed by incorporating conductive particles into
resin, from a vertical direction or sloping direction of the substrate.

[Claim 3] A method of manufacturing a liquid crystal display

device, in which a frame pattern is formed by applying a sealing material
to the peripheral part of a picture display region provided on one out of a
10 pair of substrates, the liquid crystal is dropped inside the frame pattern
and the substrates are attached to each other, and the sealing material is
hardened, wherein in order to conduct the pair of substrates, a transfer

seal, formed by incorporating conductive particles into resin, is applied,
the transfer seal is hardened by ultraviolet irradiation for attaching the
substrates by hardening the resin, and the substrates are thermally
treated, being supported in a parallel direction by a support case, after the
5 irradiation of ultraviolet rays.

[Claim 4] A liquid crystal display device, in which a frame pattern
is formed by applying a sealing material to the peripheral part of a picture
display region provided on one out of a pair of substrates, the liquid
crystal is dropped inside the frame pattern and the substrates are
10 attached to each other, and the sealing material is hardened, wherein the
pair of substrates are conducted by a transfer seal formed by
incorporating particles coated with a transparent conductive film on the

surface.

[Claim 5] A liquid crystal display device, in which a frame pattern

is formed by applying a sealing material to the peripheral part of a picture

display region provided on one out of a pair of substrates, the liquid

5 crystal is dropped inside the frame pattern and the substrates are

attached to each other, and the sealing material is hardened, wherein in

order to conduct the pair of substrates, a film for reflecting ultraviolet rays

irradiated for hardening the resin is formed as an electrode on a lower

part of a transfer seal.

10 [Claim 6] A method of manufacturing a liquid crystal display

device, in which a frame pattern is formed by applying a sealing material

to the peripheral part of a picture display region provided on one out of a

pair of substrates, the liquid crystal is dropped inside the frame pattern
and the substrates are attached to each other, and the sealing material is
hardened, wherein a liquid crystal orientation film is formed on the region
where the ends thereof become an outer side of an inner circumferential
5 side of the sealing material and an inner side of an outer circumferential
side of the sealing material, light having a wavelength of about 300 to
500nm is irradiated, and the sealing material is hardened.

[Claim 7] A device for dropping liquid crystal comprising: a
dispenser means for discharging a predetermine amount of liquid crystal;
10 and a measuring means for measuring the amount of liquid crystal
discharged by the dispenser means, the measuring means having an
optical sensor, integrating a change in signals of the corresponding

optical sensor generated when liquid discharged from the dispenser means passes through the optical sensor, and measuring the amount of liquid crystal discharged.

[Claim 8] A device for dropping liquid crystal, comprising: a
5 dispenser means for recognizing a drop shape of liquid crystal discharged by the dispenser means and estimating the discharge amount of liquid crystal of the sealing material based on the corresponding shape.

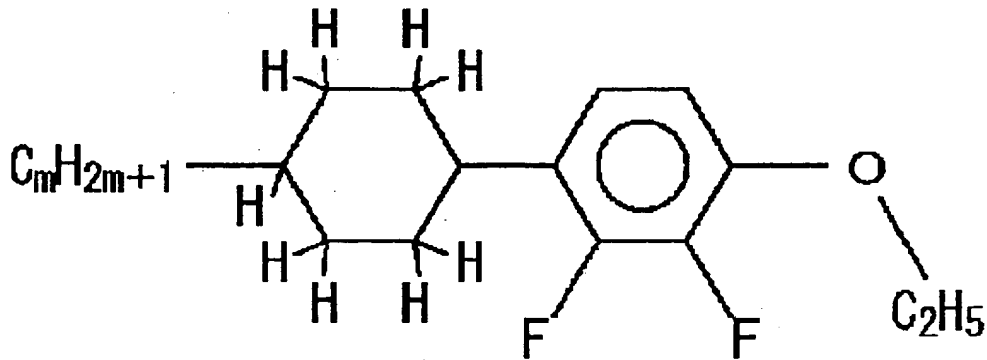
[Claim 9] A device for dropping liquid crystal, comprising: a discharge means having a plurality of thin tubes and for discharging a
10 predetermined amount of liquid crystal from the respective thin tubes; and a measuring means having respective backing plates corresponding to the respective thin tubes and for measuring the weight of drops of

liquid crystals received on the respective backing plates, wherein the drops of liquid crystal, the weight of which is measured by the measuring means and the discharge amount thereof is specified, are supplied from the respective backing plates.

- 5 [Claim 10] A device for dropping liquid crystal in a vertical orientation, which has a pair of substrates, at least one of which being transparent, a frame pattern is formed by applying a sealing material to the peripheral part of a picture display region, liquid crystal whose dielectric isotropy is negative is dropped inside the frame pattern and the
- 10 substrates are attached to each other, and the sealing material is hardened, wherein the liquid crystal material comprises a liquid crystal compound expressed by the following general formula and the number m

of carbon atoms of the end alkyl group thereof is greater than two.

[Chemical Formula 1]



[Claim 11] A device for dropping liquid crystal in a vertical

5 orientation, which has a pair of substrates, at least one of which being

transparent, a frame pattern is formed by applying a sealing material to

the peripheral part of a picture display region, liquid crystal, whose

dielectric isotropy is negative, is dropped inside the frame pattern and the

substrates are attached to each other, and the sealing material is

10 hardened, wherein the liquid crystal material comprises a neutral liquid

crystal compound having no polarity, and the liquid crystal comprising

this neutral liquid crystal compound has a high volatility with which the

weight ratio decreases by 1% or more in a vacuum state when dropped,

and has a rotational viscosity lower by 15% or more as compared to the

5 nonvolatile neutral liquid crystal compound.

**[Title of the Invention] LIQUID CRYSTAL DISPLAY DEVICE, METHOD OF
MANUFACTURING THE SAME AND DEVICE FOR DROPPING LIQUID
CRYSTAL**

5 **[Detailed Description of the Invention]**

[0001]

[Field of the Invention] The present invention relates to a liquid crystal display device which is formed by dropping liquid crystal inside a frame pattern having ultraviolet curing resin or ultraviolet plus thermosetting resin formed on substrates, attaching the upper and lower substrates, and

10 **hardening the resin, a method of manufacturing the same, and a device for dropping liquid crystal for implementing the aforementioned drop injection method.**

[0002]

[Description of the Prior Art] Conventionally, in the manufacture of a liquid crystal display panel, a method of injecting from an injection port formed a sealed cell into a corresponding panel has been utilized in a liquid crystal injection process. In recent years, there is an increasing demand for a large-sized screen of a liquid crystal display panel, and it is becoming difficult to attain sufficient display characteristics by this method.

[0003] Therefore, attention is focused on a dropping injection method in which an frame pattern is formed by applying a sealing material made of ultraviolet curing resin or (ultraviolet plus thermo) setting resin on the peripheral part of a picture display region of a cell substrate and each

substrate is attached by dropping liquid crystal in the frame pattern. This dropping injection method can greatly reduce the time of a panelization process including a liquid crystal injection process step and simplify the same, and enables it to manufacture a liquid crystal display panel with a high reliability at a low cost. At the same time, a liquid crystal display panel manufactured by using the corresponding dropping injection method has a very high contrast ratio at the front, has excellent visual characteristics, and has superiority in that it has a good halftone response. Thus, the liquid crystal display panel is preferably adapted to a big screen liquid crystal monitor of high performance.

[0004]

[Problem(s) to be Solved by the Invention] The liquid crystal injection according to the above dropping injection method is very excellent from a viewpoint of a manufacturing process and from a viewpoint of the display characteristics of a product, while there are several problems to be solved

5 **to be described hereinafter.**

[0005] – Problem about sealing material – (1): Referring to FIG.23, in the dropping injection method, since no injection port is required for a cell (substrate 101), a main seal 102 becomes a closed frame pattern. But, if a frame pattern is formed by using a dispenser, the starting point and end

10 **point of sealing material application are overlapped, and a seal width at the part 103 becomes larger. A shielding film 105 is formed in the peripheral part of a display region. If the seal width becomes larger, parts**

of the sealing material are shaded to thus cause a defective setting

(FIG.23(a)). Thus, in the prior art, there has been proposed a method in

which the main seal 102 is kept enough from the shielding film so that the

sealing material may not be shaded or a method in which corner portions

5 with a large margin are used as the starting point and end point of sealing

material application (Japanese Laid-Open Patent HEI 8-240807).

(FIG.23(b)).

[0006] However, if the main seal 102 is kept enough from the shielding

film so that the sealing material may not be shaded, the ratio of outer

10 dimensions relative to the image display region 104 becomes greater.

Further, if the corners portions are used as the starting point and end

point of sealing material application, it becomes more difficult for the

sealing material to be stopped by the shielding film than a straight portion. But, this is because the distance between the shielding film and the sealing material is about 1.4 times greater than the straight portion, and if a swelling portion of an overlapping portion 103 becomes larger than the distance, it is stopped by the shielding film, thereby causing a likewise defective setting.

[0007] (2): Referring to FIG.24, conductive particles 108 are incorporated into a transfer seal 106 during sealing material application to attain a conduction between upper and lower substrates, and the transfer seal 106 is formed at a position where it is inserted into upper and lower transparent electrodes 107. Conventionally, resin particles having nickel or gold with low resistance coated on the surface are used as the

conductive particles 108.

[0008] When resin particles having nickel or gold with low resistance coated on the surface are incorporated into the transfer seal 106, ultraviolet rays are absorbed or reflected, thereby making it difficult for the ultraviolet rays to reach inside the seal. Further, since the transfer seal 102 is inserted into the transparent electrodes 107, the ultraviolet rays are attenuated by the transparent electrodes 107. In a case where the amount of light for hardening the sealing material and the amount of light for deteriorating liquid crystal are close, if ultraviolet rays are collectively irradiated to the main seal 102 and the transfer seal 106 in consideration of attenuating by the transparent electrodes 107, liquid crystal adjacent to the main seal 102 with no transparent electrode 107 is deteriorated,

thereby degrading the retention.

[0009] (3): Referring to FIG.25, in order to improve curing rate in a case

where the sealing material is an ultraviolet curing resin and in order to

perform thermosetting in a case where the sealing material is a (ultraviolet

5 plus thermo) setting resin, the isotropic treatment and thermal treatment

of liquid crystal are simultaneously performed after the irradiation of

ultraviolet rays. In dropping injection, the process until ultraviolet

irradiation is done on a sheet basis, and a thermal treatment process

requiring time is done in a batch fashion. Thus, a substrate is held in a

10 carrier cassette 108, and it is put in a thermosetting furnace and

undergoes thermal treatment.

[0010] The carrier cassette 108 is constructed in a structure of

supporting a substrate 101 from the end of the substrate so that the carrier arm may put in and take out the substrate 101. Therefore, the carrier cassette 108 cannot support the substrate 101 in parallel, but the substrate 101 is bent. Though there is no problem if the sealing material is completely hardened only by ultraviolet irradiation, in most cases, it is completely hardened by thermal treatment. Thus, the substrate supporting force is still weak at an initial stage of thermal treatment, and a deviation in position is generated by the effect of bending.

[0011] (4): Referring to FIGs.26 to 28, in a case where hardening resin is hardened by ultraviolet curing resin or (ultraviolet plus thermal) setting resin, ultraviolet rays are generally irradiated from a UV lamp 113 by making the regions excepting the corresponding resin with a shading

mask 112 (FIG.26(a)). At this time, in order for liquid crystal not to be exposed to ultraviolet rays through the substrate, position alignment is performed so that the surfaces of the corresponding resin and the mask end may be almost the same (FIG.26(b)). However, the application width of the corresponding resin has a margin of error of $\pm 0.2\text{mm}$ unless it is strictly managed. Thus, in order that the resin and the shading mask are not overlapped, the resin end and the mask end should have a margin of dimension of this range. When ultraviolet rays are irradiated to this margin region, liquid crystal causes photolysis, thereby degrading the voltage retention.

[0012] To cope with this problem, Japanese Laid-Open Patent HEI 2-308221 proposes a method of irradiating ultraviolet rays by forming a

ultraviolet shielding layer on the surface of a substrate excluding a seal portion, Japanese Laid-Open Patent HEI 8-101395 proposes a method of irradiating ultraviolet rays through a mask having a predetermined pattern and a filter for screening ultraviolet rays of shorter than a specific wavelength (FIG.27), and Japanese Laid-Open Patent HEI 10-221700 proposes a method of irradiating ultraviolet rays by forming a bandpass filter for screening ultraviolet rays on the outer side of a display region.

[0013] Liquid crystal photolysis mostly occurs in a short wavelength of less than 320nm, thus the liquid crystal photolysis is restricted to the minimum if the corresponding resin is hardened by irradiating wavelengths longer than the above wavelength. But, wavelengths of 300nm to 320nm are also required for the hardening of ultraviolet curing

resin, and if the resin is hardened with a wavelength longer than the above wavelengths, the reaction rate is lowered. If the reaction rate is lowered, unhardened components of the resin are melted in the liquid crystal during heat treatment, thereby contaminating the liquid crystal.

5 [0014] Further, it is also possible to select ultraviolet curing resin for performing the equivalent polymerization only with a wavelength in which liquid crystal photolysis does not occur, that is, a long wavelength of longer than 320nm. However, the options of resin material are quite narrow, and the reliability is lower than prior art resin when considering

10 the staining property, application stability and hardening physical property of resin material relative to liquid crystal.

[0015] An ultraviolet shielding layer disclosed in Japanese Laid Open

Patent Publication HEI 2-308221 is a filter for shielding almost all ultraviolet rays in order to prevent liquid crystal photolysis, and suppresses the transmittance of a wavelength from 300nm to 320nm to a considerably low level (several % ~ 10%). Therefore, when the seal portion and the ultraviolet shielding layer are overlapped, the reaction rate of resin is lowered at that portion, and unhardened components of resin are melted in the liquid crystal during thermal treatment, thereby contaminating the liquid crystal.

[0016] A filter disclosed in Japanese Laid Open Patent Publication HEI 8-101395 is a filter for blocking ultraviolet rays of shorter than a specific wavelength harmful to liquid crystal in order to prevent liquid crystal photolysis, and suppresses the transmittance of a wavelength from

300nm to 320nm to a considerably low level (FIG.28). Therefore, when resin is hardened through the filter, the reaction rate of resin is lowered at that portion, and unhardened components of resin are melted in the liquid crystal during thermal treatment, thereby contaminating the liquid crystal.

5 [0017] A bandpass filter disclosed in Japanese Laid Open Patent Publication HEI 10-221700 is a filter for blocking short wavelengths harmful to liquid crystal and long wavelengths which is a heat source in order to prevent liquid crystal photolysis, and suppresses the transmittance of a wavelength from 300nm to 320nm to a considerably low
10 level(10 ~ 20%). Therefore, when the seal portion and the ultraviolet shielding layer are overlapped, the reaction rate of resin is lowered at that portion, and unhardened components of resin are melted in the liquid

crystal during thermal treatment, thereby contaminating the liquid crystal.

[0018] – problem about control of liquid crystal dropping amount – In

the dropping injection method, when dropping using a dispenser means,

the accuracy of the thickness of a cell of a substrate is determined

5 according to the amount of liquid crystal dropped. Thus, the dropping

amount should be measured accurately. However, in the prior art method,

no matter how accurate the accuracy of control increases, this cannot

avoid liquid from remaining in a needle of the dispenser means, and it is

not clear if the actual dropping amount is consistent with a predetermined

10 dropping amount, and it is often the case that both of them are different.

In this case, though there is a method of measuring a liquid dropping

amount by measuring the weight of liquid crystal dropped on each

individual substrate, this method is very difficult to use in the present day,

when a large-sized screen of a liquid crystal display panel is demanded.

[0019] – problem about liquid crystal material – At present, a liquid

crystal dropping device has to be improved in display characteristics, and

5 has to be manufactured at a low cost. Thus, as described above, a

dropping injection method is efficient for a low cost manufacture, by

which a panelization process can be greatly simplified. However, in the

dropping injection method, a method of injecting liquid crystal material

and a method of attaching a pair of substrates are totally different from

10 the prior art method. Thus, liquid crystal material must have a strong

resistance, and be suitable for the dropping injection method.

[0020] Since ultraviolet rays (UV) are used for actual hardening in the

dropping injection method, liquid crystal material having a strong resistance to UV is required. Further, liquid crystal material may be in contact with the seal not hardened enough, the liquid crystal material must be strongly resistant to contamination.

5 [0021] By the way, liquid crystal material whose dielectric isotropy is negative is used for a liquid crystal dropping device in a vertical orientation. Generally, liquid crystal material whose dielectric isotropy is negative may be restricted by the type of a liquid crystal compound comprising the liquid crystal material. Widely used liquid crystal

10 compounds at present are classified into three types. By selecting any better liquid crystal material among those liquid crystal compounds, the yield is increased, display non-uniformity and residual images are

suppressed, and the life span of the product is lengthened.

[0022] As one of the causes of display non-uniformity and defective products, electric properties in a liquid crystal display panel are strongly involved. There is a need to increase the voltage retention of a liquid crystal cell, lower the ion density, and lower a residual DC voltage. As liquid crystal material, one having a high purity and a high specific resistance of bulk liquid crystal has to be used.

[0023] As a result of investigation of negative liquid crystal, it can be seen that negative liquid crystal includes ones capable of maintaining a high bulk specific resistance and ones to be deteriorated, and they depend upon negative liquid crystal compounds. Further, because liquid crystal whose dielectric isotropy is negative is insufficient in kind, it must

be avoided to use only one of the above three types. To satisfy the electro-optic property of a liquid crystal dropping device, liquid crystal physical properties have to be offered, and the above three types have to be used together.

- 5 [0024] Besides, even if the resistance of liquid crystal is increased, the viscosity of the liquid crystal is increased, thereby lowering the response speed of a liquid crystal dropping device. According to the theory about response of liquid crystal, the response speed is considered to be proportional to the viscosity of liquid crystal, thus it is preferable to use
- 10 liquid crystal material of a lower viscosity.

[0025] As explained above, the dropping injection method is a technique which contributes to the efficient manufacture of a liquid

crystal display panel and the realization of excellent display characteristics, but there are a lot of problems to be overcome, and it is expected that they are to be overcome later.

[0026] The present invention is directed to solve the above problems, and provides a liquid crystal display device, a method of manufacturing the same and a device for dropping liquid crystal which attain the following objects.

[0027] (1) It is an object of the present invention to restrain display non-uniformity caused from a decrease of retention, which may easily occur due to a sealing material, manufacture a liquid crystal dropping device conveniently at a high yield by using a dropping injection method, and realizes a liquid crystal dropping device having a high reliability.

[0028] (2) It is another object of the present invention to realize a device for dropping liquid crystal which performs a liquid crystal dropping injection having a good yield and a high reliability by enabling the quantity of a liquid crystal dropped in a dropping injection method to be precisely measured and controlled and making the cell thickness uniform by properly controlling the quantity of a liquid crystal for each dropping region.

[0029] (3) It is another object of the present invention to realize a liquid crystal display device which restrains the viscosity of the liquid crystal so as to be low by using a liquid crystal material most suited for the dropping injection method, accelerates the response speed, especially halftone response speed and improves display properties further more.

[0030]

[Means for Solving the Problem] The present inventors have devised several embodiments as follows as a result of assiduous investigation.

[0031] There is provided a liquid crystal display device and a method of
5 manufacturing the same according to the present invention aiming at providing a liquid crystal display device , in which a frame pattern is formed by applying a sealing material to the peripheral part of a picture display region provided on one out of a pair of substrates, the liquid
crystal is dropped inside the frame pattern and the substrates are
10 attached to each other, and the sealing material is hardened, wherein the sealing material is applied so as to position a starting point and an end point of the sealing material application outside the frame pattern. By this,

the starting point and the end point on the frame pattern do not overlap,
thus it can avoid the width of the sealing material from increasing and
overlapping with a shielding film on the frame pattern.

[0032] In this case, it is preferable that the sealing material is coated so
5 as to position at least one of the starting point and the end point on an
unmounted side of the substrate. When the corresponding point is formed
so as to be positioned outside the frame pattern, a link pattern for linking
to the frame pattern is required. Cut positions of the substrate on a
mounted side are different at upper and lower sides. Thus, if the
10 corresponding point is positioned on the mounted side, respective
substrates of a cut portion are attached by the link pattern, thereby
making it difficult to cut them. In case of the unmounted side, the cut

position of the substrates are the same at upper and lower sides, thus
respective substrates of a cut portion are not attached by the link pattern,
and the substrate can be easily cut.

[0033] Further, it is preferable that at least one of the starting point and
5 the end point is linked with the frame pattern so as to intersect the
unmounted side. Although the corresponding point and the frame pattern
may be linked in such a fashion not to intersect the unmounted side by
forming the link pattern on a slant, it is difficult and not realistic to apply a
seal in a sloping direction from the viewpoint of the control of a dispenser
10 means. If the corresponding point and the frame pattern are linked in such
a fashion to intersect the unmounted side, the link pattern can be formed
on a straight line, thereby making the seal application easier.

[0034] Further, it is preferable that a seal pattern is continuously formed by using the sealing material by making the starting point and the end point consistent with each other on the substrates. If the seal pattern is continuously formed by the technique of single line drawing, the starting point and the end point can be eliminated from the frame pattern, and the seal can be easily applied even on a multifaced substrate.

[0035] There is provided a liquid crystal display device and a method of manufacturing the same according to the present invention aiming at providing a liquid crystal display device, in which a frame pattern is formed by applying a sealing material to the peripheral part of a picture display region provided on one out of a pair of substrates, the liquid crystal is dropped inside the frame pattern and the substrates are

attached to each other, and the sealing material is hardened, wherein the pair of substrates are conducted by a transfer seal formed by incorporating particles coated with a transparent conductive film on the surface.

5 [0036] Among transparent conductive films, for example, an ITO film has a higher resistance than nickel or gold that has been used as a prior art conductive film, but is being widely used for a liquid crystal display panel as a transparent electrode and does not have a problem in conduction. Though ultraviolet rays are partially absorbed by the ITO film
10 and attenuated, this film has the highest transmittance among metal layers. By incorporating this film in the transfer seal, it becomes easier for ultraviolet rays to reach into the seal, and accordingly it becomes easier

to harden the transfer seal.

[0037] There is provided a liquid crystal display device and a method of

manufacturing the same according to the present invention aiming at

providing a liquid crystal display device, in which a frame pattern is

5 formed by applying a sealing material to the peripheral part of a picture

display region provided on one out of a pair of substrates, the liquid

crystal is dropped inside the frame pattern and the substrates are

attached to each other, and the sealing material is hardened, wherein a

film for reflecting ultraviolet rays irradiated for hardening the resin is

10 formed as an electrode on a lower part of a transfer seal for conducting

the pair of substrates.

[0038] By this, some parts of the ultraviolet rays irradiated to the

transfer seal are reusable, thereby suppressing the amount of light for
hardening the transfer seal to a low level compared to the prior art.

[0039] In this case, it is preferable that an aluminum film or silver film is
used as the film for reflecting ultraviolet rays and formed on the substrate
5 at a thin film transistor side. Since the aluminum film or silver film is a
metal film which reflects ultraviolet rays and widely used for a TFT
process, it is possible to form a reflective film without increasing a
number of processes.

[0040] There is provided a method of manufacturing a liquid crystal
10 display device according to the present invention aiming at providing a
liquid crystal display device, in which a frame pattern is formed by
applying a sealing material to the peripheral part of a picture display

region provided on one out of a pair of substrates, the liquid crystal is dropped inside the frame pattern and the substrates are attached to each other, and the sealing material is hardened, wherein in order to conduct the pair of substrates, ultraviolet rays formed of parallel rays for hardening resin are spot irradiated onto a transfer seal, formed by incorporating conductive particles into resin, from a vertical direction or sloping direction of the substrate.

[0041] In the spot irradiation, parallel light having high straightforwardness can be irradiated by using a light guide of quartz fiber or the like. Since conductive particles for absorbing and reflecting some or entire parts of ultraviolet rays are incorporated into the transfer seal, the ultraviolet rays reaching into the transfer seal are attenuated by these

particles. Further, the transfer seal is fitted into the transparent electrode,
and accordingly ultraviolet rays are attenuated. When ultraviolet rays
formed of parallel rays are spot irradiated onto a transfer seal from a
vertical direction or sloping direction of the substrate, as much additional
5 ultraviolet rays as they are attenuated can be irradiated. Further, because
parallel light can be irradiated, it is possible to restrain liquid crystal from
being degraded by incoming light to the minimum degree.

[0042] There is provided a method of manufacturing the same
according to the present invention aiming at providing a liquid crystal
10 display device, in which a frame pattern is formed by applying a sealing
material to the peripheral part of a picture display region provided on one
out of a pair of substrates, the liquid crystal is dropped inside the frame

pattern and the substrates are attached to each other, and the sealing material is hardened, wherein in order to conduct the pair of substrates, a transfer seal, formed by incorporating conductive particles into resin, is applied, the transfer seal is hardened by ultraviolet irradiation for

5 attaching the substrates by hardening the resin, and the substrates are thermally treated, being supported in parallel by a support case, after the irradiation of ultraviolet rays.

[0043] By supporting the substrates in parallel and thermosetting them not by a prior art carrier cassette for supporting the substrates from the

10 ends of the substrates but by a carrier cassette or parallel flat plate of such a structure supporting the substrates in parallel by multipoint supporting the substrates surfaces, the creation of misalignment during

thermosetting treatment is restrained.

[0044] There is provided a method of manufacturing the same according to the present invention aiming at providing a liquid crystal display device, in which a frame pattern is formed by applying a sealing material to the peripheral part of a picture display region provided on one out of a pair of substrates, the liquid crystal is dropped inside the frame pattern and the substrates are attached to each other, and the sealing material is hardened, wherein a liquid crystal orientation film is formed on the region where the ends thereof become an outer side of an inner circumferential side of the sealing material and an inner side of an outer circumferential side of the sealing material, light having a wavelength of about 300 to 500nm is irradiated, and the sealing material is hardened.

[0045] Liquid crystal photolysis mostly occurs in a short wavelength of less than 320nm, and wavelengths of 300nm to 320nm are also required for the hardening of ultraviolet curing resin. Thus, an invention of irradiating these wavelengths not to liquid crystal but to the

5 corresponding resin is required. However, this is not preferable because it is difficult to realize this idea and the aforementioned problems occur even if every liquid crystal display panel is positioned using a blocking filter for a mask. Therefore, an invention of attenuating wavelengths of 300nm to 320nm within the range of not lowering the reaction rate of the

10 corresponding resin that much and restraining liquid crystal photolysis to the minimum level is devised.

[0046] The reaction rate of resin was measured by irradiating ultraviolet

rays of the amount of light for hardening the corresponding resin using edge filters having a different transmittance of 300nm to 320nm. As a result, although there may be some difference according to the type of resin, it can be seen that if the transmittance of the wavelength is about 5 30%, the reaction rate is not lowered in most cases, when viewed from a 313nm emission line peak of a high pressure mercury lamp. This is because while the amount of light for hardening is an amount of ultraviolet light at which the reaction rate of the corresponding resin almost reaches saturation, the hardening reaction of the corresponding 10 resin rapidly increases about 30% of the amount of light for hardening, and the reaction rate does not change much afterwards.

[0047] However, when ultraviolet rays of the same amount are

irradiated to liquid crystal using these filters, liquid crystal photolysis is still large, and display defectiveness is generated by the deterioration of retention. Therefore, long wavelengths longer than 500nm less affected by the hardening of the corresponding resin are cut and ultraviolet rays of the same amount are irradiated to liquid crystal. AS a result, liquid crystal photolysis becomes smaller, and no display defectiveness caused from the deterioration of retention is generated. This is because although no liquid crystal photolysis does not occur only by a long wavelength longer than 500nm, a long wave length longer than 500nm becomes a heat source by being combined with a wavelength of 300nm to 320nm, and liquid crystal photolysis is accelerated.

[0048] The ends of the orientation film are formed on the region where

the ends thereof become an outer side of an inner circumferential side of
the corresponding resin and an inner side of an outer circumferential side
of the corresponding resin because the orientation film has the function
of absorbing unhardened components of the corresponding resin and
5 restraining them from being diffused in the liquid crystal. Further, if the
ends of the orientation film are formed to have the same surface as the
inner circumferential side of the corresponding resin, a gap is generated
between the ends of the orientation film and the corresponding resin due
to misalignment. If the ends of the orientation film are formed on the outer
10 side of the outer circumferential side of the corresponding resin, the
corresponding resin and the substrate are attached with the orientation
film having weak moisture resistance therebetween, whereby the

attaching strength is sharply lowered under a high temperature and a high humidity. Further, the orientation film can be used as a filter for alleviating liquid crystal photolysis since the orientation film attenuates a wavelength of 313nm emission line peak by 1.5%. By this, the transmittance of the corresponding wavelength of the filter used for an irradiation light source can be increased, thus the corresponding resin of the outer side of the ends of the orientation film can be hardened more firmly.

[0049] Accordingly, liquid crystal photolysis can be restrained by combining the above methods without deteriorating the reaction rate of the corresponding resin that much, thereby preventing display defectiveness caused from the deterioration of retention.

[0050] In this case, it is preferable that the ends of the orientation film

on the substrate where at least a color filter is formed are formed on the region where the ends thereof become an outer side of an inner circumferential side of the sealing material and an inner side of an outer circumferential side of the sealing material, light having the above wavelength is irradiated from the corresponding substrate side, and the sealing material is hardened.

[0051] This color filter serves as a mask of a picture display region. If the ends of the orientation film on the substrate is formed on the corresponding region, and light is irradiated from the corresponding substrate, there is no need to mask the regions other than the resin region.

[0052] Furthermore, it is preferable that the transparent electrode and

the ends of the orientation film on the substrate where at least a color filter is formed are formed on the region where the ends thereof become an outer side of an inner circumferential side of the sealing material and an inner side of an outer circumferential side of the sealing material, light having the above wavelength is irradiated from the corresponding substrate side, and the sealing material is hardened.

[0053] The transparent electrode film is used as a filter for alleviating liquid crystal photolysis since it attenuates the wavelength of 313nm emission line peak by 35% and attenuates the wavelength by 45% by being used in combination with the orientation film. By this, the transmittance of the corresponding wavelength of the filter used for an irradiation light source can be increased still more, thus the

corresponding resin of the outer side of the transparent electrode and the end of the orientation film can be hardened more firmly.

[0054] Furthermore, it is preferable that a filter for blocking almost all wavelengths except for the corresponding wavelength is arranged at an irradiation light source side as a means for irradiating light having a wavelength of about 300 to 500nm.

[0055] In the aforementioned example, a filter for blocking ultraviolet rays of less than a specific wavelength harmful to liquid crystal is arranged between a mask and a liquid crystal display panel. By arranging the filter of the present invention by this arrangement, the long wavelength blocking filter generates heat since it absorbs a long wavelength of greater than 500nm, and the liquid crystal display panel is

also heated. When a wavelength of 300 to 320nm is irradiated with the liquid crystal display panel heated, liquid crystal photolysis reaction is stimulated as described above. Thus, the flow of heat relative to the liquid crystal display panel is prevented by arranging the long wavelength blocking filter on the irradiation light source side. Further, it is often the case that a short wavelength blocking filter may also absorb on a long wavelength side as well as a short wavelength side, and the short wavelength blocking filter is arranged on the irradiation light source side, thereby restraining the flow of heat relative to the liquid crystal display panel.

[0056] Further, the amount of light for hardening the sealing material is preferably less than about 3000 mJ/cm² relative to line I.

[0057] The amount of light for hardening the corresponding resin is set based on the cumulative amount of light in a wavelength band (of about 350nm \pm 30nm) near a 365 emission line (line I) peak at which the irradiation strength of a high pressure mercury lamp becomes maximum.

5 If the strength of the peak of line I is set to 100, the 313nm emission line peak becomes about 60 in case of a high pressure mercury lamp and about 30 in case of a metal halide lamp. But, since the high pressure mercury lamp has high strength only at the emission line peak, while the metal halide lamp becomes broad near the emission line peak, both lamps

10 do not show a big difference in cumulative amount of light of a wavelength of 300 to 320nm.

[0058] Light having a wavelength of about 300 to 500nm is irradiated to

liquid crystal, to thus prevent the lowering of the amount of ultraviolet light at which liquid crystal photolysis is activated. The transmittance of the blocking filter used shows 50% at a 313nm emission line peak and 90% at a 365nm emission line peak. As a result, though different a little according to the type of liquid crystal, the cumulative amount of light in a wavelength band (of about $350\text{nm} \pm 30\text{nm}$) near a 365 emission line (line I) peak is about 1000 mJ/cm^2 . In the present invention, a wavelength of 300 to 320nm can be attenuated by 15% by using the orientation film. But, in case of surface-irradiating ultraviolet rays to a large-sized substrate, if the guaranteed figures of the illuminance non-uniformity is generally $\pm 15\%$, and the amount of light for hardening the corresponding resin is about 3000 mJ/cm^2 relative to line I, the maximum value portion of the non-

uniformity exceeds this value and ultraviolet rays are irradiated to liquid crystal, thereby activating liquid crystal photolysis and lowering the retention. In order to activate the reaction, energy of greater than a predetermined quantity is required. If the energy exceeding the

5 predetermined quantity is applied, the reaction is accelerated, or if the quantity of energy is less than the predetermined quantity, the reaction is not activated, making the reaction sluggish.

[0059] There is provided a device for dropping liquid crystal according to the present invention, comprising: a dispenser means for discharging a

10 predetermine amount of liquid crystal; and a measuring means for measuring the amount of liquid crystal discharged by the dispenser means, the measuring means having an optical sensor, integrating a

change in signals of the corresponding optical sensor generated when liquid discharged from the dispenser means passes through the optical sensor, and measuring the amount of liquid crystal discharged.

[0060] The amount of liquid crystal discharged from the dispenser means is low in accuracy if there is merely the self control of the corresponding dispenser means, and thus the measuring means is disposed to measure the amount (volume) of corresponding liquid crystal by injecting liquid crystal discharged from the dispenser by the optical sensor. In this case, the output of the optical sensor shows a measured width of drops of the discharge liquid crystal. If continuously measured, a time change in discharge amount is measured, and if the measurement result is integrated, the value equivalent to the total amount of discharge

can be obtained. By measuring and this value and the discharge amount of the sealing material and comparing them with each other, the correlation is obtained in advance. Based on the corresponding correlation, the discharge amount of the sealing material can be estimated in real time. By this, the total discharge amount to be dropped on a desired region can be accurately controlled, and even when manufacturing a large screen liquid crystal panel, the uniformity of a cell thickness can be attained.

[0061] In this case, as a concrete example, it is preferable that the measuring means measures the discharge amount of liquid crystal in a manner that laser light is irradiated in a direction almost perpendicular to discharge liquid crystal, and the output of the laser light is changed by the

discharge liquid crystal intersecting this laser light to detect it by the optical sensor. In this way, by using a laser as an irradiation light source, the discharge amount of liquid crystal can be measured more rapidly and accurately.

5 [0062] Furthermore, it is preferable that the discharge amount of liquid crystal is measured in at least two directions or the corresponding discharge amount is measured in two directions orthogonal to each other since the accuracy of the measurement of discharge amount can be attained.

10 [0063] Furthermore, it is preferable that the optical sensor is disposed at a position within 2cm from a liquid crystal discharge port of the dispenser means.

[0064] As a result of measuring the amount of liquid crystal dropped onto the sealing material by disposing the optical sensor on the liquid crystal discharge port of the needle of the dispenser means, it is seen that in most cases, since liquid drops are continuously dropped about 2cm from the liquid crystal discharge port, the discharge amount of liquid crystal is most preferably 1cm. This is because, if the discharge distance is increased to about 2cm or more by a pressure difference between the inner side and outer side of the inside of the needle or by the generation of bubbles, liquid crystal that has been continuously discharge at first becomes discontinuous, thereby reducing the accuracy of measurement.

[0065] There is provided a device for dropping liquid crystal according to the present invention, comprising: a dispenser means for recognizing a

drop shape of liquid crystal discharged by the dispenser means and
estimating the discharge amount of liquid crystal of the sealing material
based on the corresponding shape.

[0066] The amount of liquid crystal discharged from the dispenser
5 means is low in accuracy if there is merely the self control of the
corresponding dispenser means, and thus the measuring means is
disposed to recognize a drop shape of liquid crystal discharged from the
dispenser means and estimate the discharge amount of liquid crystal of
the sealing material based on the corresponding shape. In this case, the
10 correlation between the drop shape of liquid crystal and the amount
(volume) thereof is obtained in advance, and the discharge amount of the
sealing material is estimated based on them. By this, the total discharge

amount to be dropped on a desired region can be accurately controlled,
and even when manufacturing a large screen liquid crystal panel, the
uniformity of a cell thickness can be attained.

[0067] In this case, as a concrete example, the measuring means
5 optically recognizes the drop shape of liquid crystal, and estimates the
discharge amount of liquid crystal of the sealing material from an image
of the corresponding shape.

[0068] Furthermore, the optical sensor may be disposed near a liquid
crystal discharge port of the dispenser means to thus estimate the
10 discharge amount of liquid crystal of the sealing material from the image
of the drop shape of liquid crystal by using as a trigger signal a signal of
the corresponding optical sensor generated when discharged liquid

crystal passes through the optical sensor.

[0069] Furthermore, the dispenser means may be constructed in a manner that liquid crystal is discharged by moving a piston in a syringe, the discharge amount is controlled according to a stroke of the piston, and the stroke of the piston is automatically changed based on the result of the image processing.

[0070] By this, an estimated value of the discharge amount from the dispenser means measured by the measuring means is feedbacked to the dispenser means, thereby enabling an accurate control of the discharge amount of liquid crystal.

[0071] There is provided a device for dropping liquid crystal according to the present invention, comprising: a discharge means having a plurality

of thin tubes and for discharging a predetermined amount of liquid crystal
from the respective thin tubes; and a measuring means having respective
backing plates corresponding to the respective thin tubes and for
measuring the weight of drops of liquid crystals received on the
5 respective backing plates, wherein the drops of liquid crystal, the weight
of which is measured by the measuring means and the discharge amount
thereof is specified, are supplied from the respective backing plates.

[0072] The amount of liquid crystal discharged from the discharge
means is low in accuracy if there is merely the self control of the
10 corresponding discharge means, and thus the measuring means is
disposed to receive drops discharged from the respective thin tubes on
the backing plates, measure the weight of the drops, and supply the drops

from the corresponding backing plates. At this time, the amount of drops remaining on the backing plates is measured in advance, and the amount supplied is controlled based on the amount of remaining drops. By this, the total discharge amount to be dropped on a desired region can be accurately controlled, and even when manufacturing a large screen liquid crystal panel, the uniformity of a cell thickness can be attained.

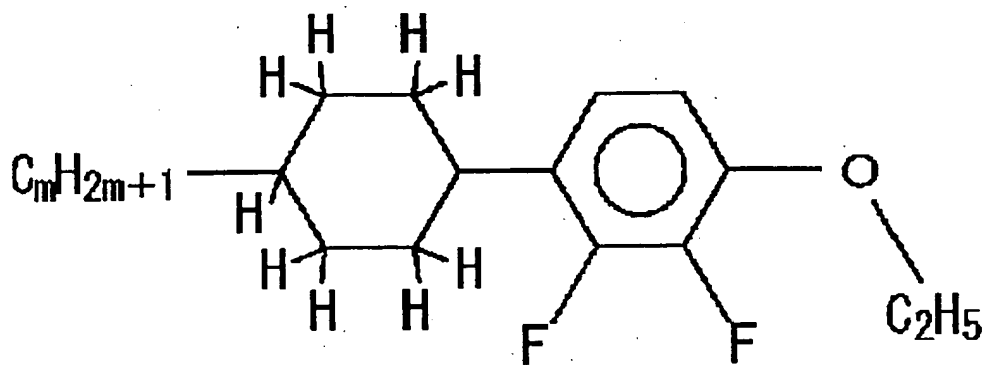
[0073] In this case, it is preferable that water repellent finishing for splashing liquid crystal on a liquid crystal contact region of the measuring means is performed. By this, the remaining of liquid crystal is prevented as much as possible, and a still more accurate amount of liquid crystal can be supplied.

[0074] There is provided a liquid crystal display device and a method of

manufacturing the same according to the present invention aiming at providing a device for dropping liquid crystal of a vertical orientation, which has a pair of substrates, at least one of which being transparent, a frame pattern is formed by applying a sealing material 21 to the peripheral part of a picture display region, liquid crystal whose dielectric isotropy is negative is dropped inside the frame pattern and the substrates are attached to each other, and the sealing material is hardened, wherein the liquid crystal material comprises a liquid crystal compound expressed by the following general formula and the number m of carbon atoms of the end alkyl group thereof is greater than two.

[0075]

[Chemical Formula 2]



[0076] If the liquid crystal comprising a liquid crystal compound expressed by the following formula and having a number m of carbon atoms of the end alkyl group thereof being an even number is used, the specific resistance of bulk liquid crystal can be kept high. The liquid crystal comprising a neutral component having no polar group and having a number m of the general formula of an even number can obtain a good result in all of initial specific resistance, specific resistance after being left under a high temperature, and specific resistance after being exposed to ultraviolet rays (UV), as compared to liquid crystal comprising the same

component and having a number m of an odd number.

[0077] Furthermore, it is preferable that the liquid crystal is restricted to the liquid crystal compounds of the general formula having a number m of 2 and 4. Generally, if the end alkyl group of a liquid crystal compound is lengthened, the liquid crystal display device is directed in a non-preferable way, including an increase of the viscosity of liquid crystal. The liquid crystal compound of the general formula functions to keep a wide nematic phase even when the temperature range of a mixed liquid crystal is at a low temperature side. In this case, it is preferred to include more than two kinds of compounds having a different number m . Therefore, in order to restrain an increase of the viscosity of liquid crystal, it is preferable to use compounds having a number m of 2 and 4.

[0078] There is provided a liquid crystal display device and a method of manufacturing the same according to the present invention aiming at providing a liquid crystal device of a vertical orientation, which has a pair of substrates, at least one of which being transparent, a frame pattern is

5 formed by applying a sealing material 21 to the peripheral part of a picture display region, liquid crystal whose dielectric isotropy is negative is dropped inside the frame pattern and the substrates are attached to each other, and the sealing material is hardened, wherein the liquid crystal material comprises a neutral liquid crystal compound having no polarity,

10 and the liquid crystal comprising this neutral liquid crystal compound has a high volatility with which the weight ratio decreases by 1% or more in a vacuum state when dropped, and has a rotational viscosity lower by 15%

or more as compared to the nonvolatile neutral liquid crystal compound.

[0079] As for the rotational viscosity, the viscosity of liquid crystal can get smaller by 15% or more than that before introduction by introducing a low viscous material. The volatility of the liquid crystal at this time shows a decrease (volatilization) of more than 1% in the weight ratio. In this way, the response speed of the liquid crystal display device can be improved by making the liquid crystal material have a low viscosity.

[0080] In this case, it is preferable the liquid crystal material has a transparent point of more than 70° , satisfies the dielectric isotropy $\Delta\varepsilon$ of $-4.0 \leq \Delta\varepsilon < 0$, and has a refractive index isotropy Δn of more than 0.1000. By satisfying this condition, display characteristics, such as luminance (transmittance), response speed and so on, or mass productivity can be

improved.

[0081] Moreover, such a liquid crystal display device preferably has a multi-domain structure in which its liquid crystal molecules are aligned in more than two directions. By this, the viewing angle property can be improved, and the liquid crystal display device is made suitable for use in a liquid crystal monitor or the like.

[0082]

[0083] [Embodiment of the Invention] Hereinafter, preferred embodiments of the present invention will be described in detail with reference to the accompanying drawings.

[0084] – General Construction of Liquid Crystal Display Device – FIG.1

is a schematic cross sectional view showing a general main construction

of a liquid crystal display device. This liquid crystal display device includes: a pair of transparent glass substrates 1 and 2 facing each other at a predetermined gap; and a liquid crystal layer 3 caught between these transparent glass substrates 1 and 2.

5 [0085] An insulating layer 4 is incorporated on a piece of a transparent glass substrate 1 to form a plurality of pixel electrodes 5 and form a transparent orientation film 6a as if covering the pixel electrodes 5, and a color filter 7, a common electrode 8 and an orientation 6b are sequentially laminated on another piece of a transparent glass substrate 2. The
10 orientation films 6a and 6b are faced together so as to catch the liquid crystal layer 5, thereby fixing the glass substrates 1 and 2, and polarizers 9 and 10 are disposed on outer sides of the respective substrates 1 and 2.

The pixel electrodes 5 are formed along with an active matrix, and in an illustrate example, a data bus line 11 of an active matrix is indicated.

Further, the electrodes may be only disposed on one of the substrates (For example, in an IPS mode).

5 [0086] Hereinafter, in the formation of a liquid crystal layer 3 using a dropping injection method, an example of various improvements in structure, in manufacturing process and in the device for dropping liquid crystal is disclosed in several embodiments to be described below.

[0087] In a method of manufacturing a liquid crystal display device
10 commonly used in each individual embodiment, ultraviolet curing resin or (ultraviolet plus thermo) setting resin is used as material of a main seal, a glass substrate A serving as a TFT (thin film transistor) substrate and a

glass substrate B serving as a CF (color filter) substrate are prepared, for example, a frame pattern of the main seal is formed on a picture display region of the glass substrate B by a dispenser, and liquid crystal is dropped inside the frame pattern by a dropping injection method, the substrates A and B are attached to each other, and the main seal is hardened. Thereafter, the attached substrates A and B are cut in the shape of a TFT substrate + a CF substrate, and undergo several subsequent processes, thereby completing a liquid crystal display device.

[0088] (First Embodiment) FIG.2 is a schematic plane view showing the shape of a glass substrate with a frame pattern formed before a liquid crystal injection process is performed by a dropping injection method. In the present example, a link pattern and a frame pattern are formed on the

peripheral part of a display region 23 of a glass substrate 22 side serving
as a CF substrate by applying ultraviolet resin (for example, a product of
ThreeBond, product name: 30 Y-363) to the main seal 21 by a dispenser. A
starting point 31a and an end point 31b of an overlapping portion 31 are
5 disposed at a position where they become an unmounted side or an outer
part of the frame pattern, and the link patten is formed so that they are
adjacent to each other after they are attached to each other.

[0089] Further, the seal width of the main seal 21 is set to 1mm, and a
corner portion has a radius of 1mm so that the line width thereof is the
10 same as a linear portion. The frame pattern is formed so that its inner
circumferential side and a shielding film 23 have a gap of 0.5mm
therebetween after being attached.

[0090] Next, a required amount of liquid crystal is dropped inside the frame pattern by the liquid crystal dropping method to bond the glass substrate 22 and the glass substrate serving as the TFT substrate in vacuum and drop liquid crystal by opening the atmosphere.

5 **[0091]** Ultraviolet rays are collectively irradiated from the glass substrate 22, the seal is hardened by thermal treatment, and cut to a predetermined dimension, thereby obtaining a liquid crystal display panel.

Further, as for the cutting of the substrates, the glass substrate 22 serving as the CF substrate is cut along a cut line 32, and the glass substrate
10 serving as the TFT substrate is cut along a cut line 33.

[0092] Here, for comparison with the liquid crystal display device of the present example, a liquid crystal display device as shown in FIG.23 as

comparative examples is manufactured.

[0093] In the comparative example 1, as shown in FIG.23(a), a frame
pattern is formed by a main seal 102. A starting point and an end point are
disposed at a position on the frame pattern, and the frame pattern is
5 linked between the starting point and the end point (an overlapping
portion 103 is formed). Except for this, the comparative example 1 is
constructed in the same way as the present example, thereby obtaining a
liquid crystal display panel.

[0094] In the comparative example 2, as shown in FIG.23(b), a frame
10 pattern is formed by a main seal 102. A starting point and an end point are
disposed at a position on the frame pattern or on the corner portion, and
the frame pattern is linked between the starting point and the end point

(an overlapping portion 103 is formed). Further, the corner portion is not formed in an arc shape. Except for this, the comparative example 1 is constructed in the same way as the present example, thereby obtaining a liquid crystal display panel.

5 [0095] In the present example, since the starting point 31a and the end point 31b are formed outside the frame pattern, the starting point 31a and the end point 31b are not overlapped on the frame pattern, and the main seal 21 of frame pattern linking portion and the shielding film 23 are not overlapped. In contrast, in the comparative examples 1 and 2, since an
10 overlapping portion 103 of the starting point and end point are formed on the frame pattern, the main seal 102 of the frame pattern linking portion is overlapped with the shielding film 105. The seal width of the frame pattern

linking portion of the comparative examples 1 and 2 is 2.6mm, and the seal width of the main seal 102 when applied in a double layer is 2.0mm.

This is because the dispenser moves in a vertical direction on the starting point and the end point, thus the seal application amount becomes

5 greater than on the linear portion. The frame pattern linking portion of the comparative example 1 is protruded 0.8mm toward the inner circumferential side, and the gap between the inner circumferential side and the shielding film 105 is 0.5mm, thus the main seal 102 is overlapped with the shielding film 105. In the frame pattern linking portion of the prior

10 art example 2, though a protrusion amount is 0.8mm which is the same as the comparative example 1, the gap between the inner circumferential side and the shielding film 105 becomes 1.4 times wider. Thus the overlap

between the main seal 102 and the shielding film 105 is small, i.e., 0.1mm.

If the gap between the inner circumferential side and the shielding film

becomes much wider, the overlap between the main seal 102 and the

shielding film 105 can be eliminated, but which is not appropriate because

5 the ratio of outer dimensions to picture display region is increased (the

frame becomes wider).

[0096] Furthermore, if the starting point and the end point are

separated from the frame pattern, the overlap between the main seal and

the shielding film can be eliminated. But, this is not appropriate because

10 the seal width of the frame pattern linking portion becomes smaller,

thereby failing to maintain a strength required for the main seal 102.

[0097] The liquid crystal display panels of the present example and the

comparative examples 1 and 2 are provided for a lighting test. As a result,
while there occurs no display non-uniformity in the present example,
there occurs display non-uniformity from a defective hardening of the
main seal 102 in the frame pattern linking portion in the comparative
5 examples 1 and 2.

[0098] As described above, according to the first embodiment, display
non-uniformity caused from a decrease in retention, which may easily
occur due to the sealing material, is restrained, a liquid crystal display
device is conveniently manufactured in an excellent yield, and a liquid
10 crystal display device having a high reliability can be realized.

[0099] – Modified Example – Here, several modified examples of the
first embodiment will be described.

[00100] (Modified Example 1) In Modified Example 1, a two surface seal pattern as shown in FIG.3 by a main seal 41 and a four surface seal pattern as shown in FIG.4 by a main seal 42 are formed respectively by a dispenser on the peripheral part of a picture display region at a glass substrate 22 side serving as a CF substrate.

[00101] On two surfaces of FIG.3, a starting point 43a and an end point 43b are linked on a substrate 22 to continuously form a seal pattern as a single overlapping portion 43, and the main seal 41 is arranged not to be overlapped on a frame pattern coupling portion. On the other hand, on four surfaces of FIG.4, a starting point 44a and an end point 44b are linked on a substrate 22 to continuously form a seal pattern as a single overlapping portion 44, and the main seal 42 is arranged not to be

overlapped on a frame pattern coupling portion. Except for this, the modified example is constructed in the same way as the first embodiment, thereby obtaining a liquid crystal display panel.

[00102] On the two surfaces of FIG.3, the starting point 43a and the end point 43b are disposed outside the frame pattern, and the main seal 41 is not overlapped on the frame pattern coupling portion, thus the main seal 41 of the frame pattern linking portion is not overlapped with a shielding film 23. On the other hand, on the four surfaces of FIG.4, the main seal 42 is overlapped on the frame pattern coupling portion, thus the seal width is increased to 2.0mm. But, this overlap is smaller than the overlapping portion between the starting point 44a and the end point 44b, and the coupling portion is a corner portion, thus the main seal 42 of the frame

pattern linking portion does not overlap with the shielding film 23.

[00103] A liquid crystal display panel manufactured using the two

surfaces of FIG.3 and a liquid crystal display panel manufactured using

the four surfaces of FIG.4 were provided for a lighting test. As a result,

5 both of them show no display non-uniformity.

[00104] (Modified Example 2) A main process of Modified Example 2 will

be described in FIG.5. Here, (a) represents a schematic plane view of a

substrate 22a, (b) represents a schematic cross sectional view of the

substrate 22a near a transfer seal, and (c) represents a schematic cross

10 sectional view magnifying the transfer seal.

[00105] Here, an ITO film is formed by deposition on the surface of a

resin spacer (eg, Micro Pearl SP manufactured by SEKISUI FINE

CHEMICAL Co., Ltd.), to thus obtain conductive particles 45. An ultraviolet curing resin used in the first embodiment is used for a transfer seal 24, and 1 wt% of the conductive particles 45 are incorporated therein. As a result of measuring the attenuation rate of ultraviolet rays acquired by the

5 conductive particles 45 and a transparent electrode 46, the amount of light irradiated to the transfer seal 24 is smaller by 10% than the main seal 21.

[00106] Further, a reflective film 47 serving as an electrode is formed using an aluminum film at a position where the transfer seal 24 of the TFT substrate side is formed. The formation of the aluminum film is carried out

10 along with the film formation process of the TFT. As for ultraviolet irradiation, light of an amount required for ultraviolet curing the main seal 21 is collectively irradiated from the substrate 22 side, and thereafter

ultraviolet rays formed of parallel rays are spot-irradiated to the transfer

seal 24 from a vertical direction of the substrate by using a light guide 48.

The amount of light for spot irradiation is almost the same (modified

example 2A) as the amount of attenuation of ultraviolet rays acquired by

5 the conductive particles 45 and the transparent electrode 46 or is $2/3$

(modified example 2B) of the corresponding amount of attenuation.

[00107] Here, for comparison with the liquid crystal display device of the

present example, a liquid crystal display device as shown in FIG.24 is

manufactured as a comparative example. In this comparative example,

10 conductive particles coated with nickel (eg, Micro Pearl SP manufactured

by SEKISUI FINE CHEMICAL Co., Ltd.) are applied to the surface of a resin

spacer, and 1 wt% thereof is incorporated in the transfer seal 106. Except

for this, the comparative example is constructed in the same way as the comparative example 1 of the first embodiment, thereby obtaining a liquid crystal display panel.

[00108] The liquid crystal display panels of the modified examples 2A and 2B and the comparative example are provided for a lighting test. As a result, while there occurs no display non-uniformity in the modified examples 2A and 2B, there occurs display non-uniformity in the comparative example from a defective hardening of a frame pattern linking portion (overlapping portion 103) and the transfer seal 106. In the modified example 2B, though the amount of light irradiated to the transfer seal 24 is insufficient, the insufficient part is filled as ultraviolet rays are reflected by the reflective film 47, whereby no display non-uniformity

caused from a defective hardening occurs.

[00109] If there is some margin between the amount of light for

deteriorating liquid crystal and the amount of light for ultraviolet curing

the sealing material, a reflective film can be formed on a lower part of the

5 transfer seal 24 even without spot-irradiating ultraviolet rays to the

transfer seal 24, and the transfer seal 24 can be hardened by slightly

increasing the amount of light for batch irradiation.

[00110] (Modified Example 3) In the Modified Example 3, as shown in

FIG.6, substrates 22a and 22b are attached to each other by hardening the

10 sealing material to form a substrate 51. Then, thermal treatment after

ultraviolet irradiation is performed by using a substrate carrier cassette 52

with a carrier arm in-and-out spacer 53 of a structure for multipoint supporting the substrate 51 surface.

[00111] As compared to this, in a comparative example, thermal treatment after ultraviolet irradiation is carried out by using a substrate carrier cassette 108 of a structure of supporting a substrate 100 at the end of a conventional substrate as shown in FIG.25.

[00112] Except for this, the modified example 3 and the comparative example are constructed in the same way as the first embodiment, thereby obtaining a liquid crystal display panel.

10 [00113] The liquid crystal display panels of the modified example 3 and the comparative example are provided for a lighting test. As a result, while there occurs no misalignment during thermal treatment, misalignment

occurs in the comparative example. In the modified example 3, the

substrate 51 surface is multipoint-supported, thus the substrate 51 can be

supported in parallel, while in the comparative example, it is supported

only with the end of the substrate, the substrate 108 is bent greatly on the

5 center, and misalignment occurs during thermal treatment.

[00114] (Second Embodiment) FIG.7 is a schematic perspective view

showing ultraviolet irradiation after a liquid crystal injection process is

carried out by a dropping injection method in the present embodiment,

and FIG.8 is a schematic cross sectional view showing a glass substrate

10 with the inside of circle C in FIG. 7 is magnified.

[00115] In the present example, an ultraviolet curing resin (product

name: 30 Y-363 manufactured by Threebond, the amount of light for

hardening is 2500 mJ/cm^2 relative to line I), liquid crystal is injected by a dropping injection method, and thereafter a glass substrate 61 serving as a CF substrate and a glass substrate 62 serving as a TFT substrate are attached and cut to make a liquid crystal display panel. In the present example, an ultraviolet irradiation process to be carried out when attaching the glass substrates 61 and 62 is improved.

[00116] The end of an orientation film 63 on the glass substrate 61 is formed on the region where it becomes an outer side of the inner circumferential side of the corresponding resin or an inner side of the outer circumferential side thereof.

[00117] Further, for comparison, as shown in FIG.9, in a conventional example, a liquid crystal panel is manufactured, in which the end of the

orientation film 63 on the glass substrate 61 serving as a CF substrate is formed on the inner side of the inner circumferential side of the corresponding resin and a shielding mask 64 is disposed.

[00118] Ultraviolet irradiation is carried out by using a high pressure mercury lamp as a light source and arranging a blocking filter 64 transmitting almost no short wavelengths of less than 300nm and a blocking filter 65 transmitting almost no long wavelengths of greater than 500nm as shown in FIG.7.

[00119] As shown in FIG.10, the transmittance of a combination of both filters is 50% at a 313nm emission line peak, and 90% at a 365 emission line peak. The amount of ultraviolet light is 2700 mJ/cm² relative to line I.

But, as a result of investigating non-uniformity of an irradiated region, the

amount of violet light is 2300 mJ/cm² at the minimum value portion of the non-uniformity and 3100 mJ/cm² at the maximum value portion thereof.

[00120] As a result of measuring the respective transmittances of the glass substrate and of the glass substrate with the orientation film added

5 thereto, the glass substrate (product name: nA35/NH manufactured by Technoglass/ film thickness: 0.7mm) shows 84% at a 313nm emission line peak, and the orientation film (product name: JALS-684 manufactured by JSR Company/film thickness: 80nm) shows 71%. It is seen that the corresponding wavelength is attenuated by 15% by the orientation film.

10 [00121] Ultraviolet rays are irradiated to liquid crystal (product name: MJ961213 manufactured by manufactured by Merck Inc.) by using blocking filters 64 and 65 of long and short wavelengths, and the

threshold of the amount of ultraviolet light at which liquid crystal photolysis is activated is obtained from a decrease of retention. As a result, as shown in FIG.11, in a case where ultraviolet rays are irradiated through the glass substrates, the decrease of retention becomes larger when the cumulative amount of light of a wavelength band ($310\pm 20\text{nm}$) near a 313nm emission line peak is about 1000 mJ/cm^2 and the cumulative amount of light thereof relative to line I is about 3000 mJ/cm^2 , and the decrease of retention becomes smaller when less than these values.

Further, as a result of obtaining the threshold of the amount of ultraviolet light at which liquid crystal photolysis is activated from a decrease of retention by using the blocking filter 64 of a long wavelength in the same manner, it can be seen that that value is 1000 to 1500 MJ/cm^2 relative to

line I, which is less than half the blocking filters of long and short

wavelengths. This is because a long wavelength greater than 500nm is

irradiated to heat liquid crystal, thereby accelerating liquid crystal

photolysis caused from wavelengths of 300nm to 320nm. Therefore, it can

5 be seen that the amount of ultraviolet light transmitting through the

orientation film exceeds this value at any part of an irradiated region,

thereby activating liquid crystal photolysis.

[00122] In the present example, the main seal is hardened by applying

blocking filters 64 and 65 of short and long wavelengths. Meanwhile, in

10 conventional examples, the main seal is hardened by applying only the

blocking filter of a short wavelength (conventional example 1) and applying

only the blocking filter of a long wavelength (conventional example 2) and

masking the portions excepting the corresponding resin with a shielding mask. As a result of testing the lighting and displaying of a thusly manufactured liquid crystal display panel, the conventional example 2 shows display non-uniformity caused from a decrease of retention in all the circumferences near the main seal and the conventional example 2 shows display non-uniformity caused from a decrease of retention near the main seal corresponding to the maximum value portion of an irradiated region. It can be assumed that this is caused from liquid crystal photolysis using ultraviolet irradiation.

10 [00123] Further, in the conventional examples 1 and 2, a decrease in the retention occurs at some parts of a corner portion. Although the corner portion is attached to R (arc) so that the seal width is not increased when

applying the seal, the distance between the display region and the corresponding resin is closer than the peripheral part. In the conventional examples, the orientation film is disposed at the inner side of the inner circumferential side of the corresponding resin. Thus, if there is unhardened component, though a little, it is diffused into liquid crystal by thermal treatment and reaches near to the display region. As a result, it can be assumed that the retention has decreased at some parts of the corner portion.

[00124] Meanwhile, in the present example, the display non-uniformity

caused from a decrease of retention generated in the conventional examples 1 and 2 does not occur. This is because liquid crystal photolysis is restrained by the filters and the orientation film and the melting of

unhardened components of the corresponding resin is restrained by the orientation film.

[00125] As described above, according to the second embodiment, display non-uniformity caused from a decrease of retention, which may easily occur due to a sealing material, is restrained, a liquid crystal dropping device is conveniently manufactured at a high yield by using a dropping injection method, and a liquid crystal dropping device having a high reliability is realized.

[00126] – Modified Example – Here, a modified example of the second embodiment will be described.

[00127] In this modified example, the end of a transparent electrode and the end of an orientation film on a glass substrate 61 is formed on the

region where the ends thereof become an outer side of an inner circumferential side of the corresponding resin and an inner side of an outer circumferential side of the corresponding resin, and a liquid crystal display panel is manufactured in the same method as the second embodiment. Ultraviolet irradiation is performed in the same condition as the second embodiment except that the amount of ultraviolet light is 3200 mJ/cm² relative to line I. As a result of investigating non-uniformity in an irradiated region, , the amount of violet light is 2300 mJ/cm² at the minimum value portion of the non-uniformity and 3100 mJ/cm² at the maximum value portion thereof.

[00128] As a result of measuring the transmittance of the glass substrate with the transparent electrode and the orientation film added thereto, the

glass substrate shows 84% at a 313nm emission line peak, and the transparent electrode (ITO/film thickness: 80nm) and the orientation film shows 46%. It is seen that the corresponding wavelength is attenuated by 45% by the transparent film and the orientation film.

5 [00129] Therefore, it can be seen that the amount of ultraviolet light transmitting through the transparent electrode and the orientation film is attenuated by the transparent electrode and the orientation film even at the maximum value portion of an irradiated region, thereby inactivating liquid crystal photolysis.

10 [00130] As a result of providing the thusly manufactured liquid crystal display panel for a lighting and display test, display non-uniformity caused from a decrease of retention generated in the conventional

examples does not occur. Further, by increasing the amount of ultraviolet light irradiated to the corresponding resin outside the end of the transparent electrode and the orientation film, more than the amount of light for hardening is irradiated even to the minimum value portion of non-

5 uniformity. Thus, in this modified example, the attaching strength is improved by 10% as compared to the second embodiment.

[00131] – Comparative Examples 1 and 2 – A liquid crystal display panel is manufactured in the same method as the second embodiment.

Although the condition of ultraviolet irradiation is the same as the second

10 embodiment, a high pressure mercury lamp is used as an ultraviolet irradiation light source, and a blocking filter 65 transmitting almost no

short wavelengths of less than 300nm is arranged on the glass substrate

61 side, as shown in FIG.12.

[00132] As a result of obtaining the threshold of the amount of ultraviolet

light at which liquid crystal photolysis is activated from a decrease of

5 retention by using the blocking filter 65 of a short wavelength in the same

manner, it can be seen that liquid crystal photolysis is not activated even

if 3000 mJ/cm² is irradiated relative to line I. Therefore, it can be seen that

liquid crystal photolysis is not activated even if there is no filter for

attenuating a wavelength of 300nm to 320nm, such as a transparent

10 electrode film or orientation film, on the region which is an outer side of

the inner circumferential side of the corresponding resin or an inner side

of the outer circumferential side thereof.

[00133] As a result of providing the thusly manufactured liquid crystal display panel (comparative example 1) for a lighting and display test, display non-uniformity caused from a decrease of retention occurs on the electrode near the main seal. As a result of decomposing this panel and analyzing the liquid crystal near the main seal by a gas chromatography, resin components caused from the main seal are detected.

[00134] Furthermore, as shown in well-known examples, ultraviolet curing resin is manufactured by using a photoinitiator having an absorption spectrum at a long wavelength side of more than 320nm, and the same comparison is carried out by using the violet curing resin as a main seal. As a result of providing the thusly manufactured liquid crystal display panel (comparative example 2) for a lighting and display test,

display non-uniformity caused from a decrease of retention occurs on
some parts near the main seal. As a result of decomposing this panel and
analyzing the liquid crystal near the main seal by a gas chromatography,
though smaller in the extent as compared to comparative example 1, resin
5 components caused from the main seal are detected.

[00135] This is because if the corresponding resin is hardened at a long
wavelength side of more than 320nm, the reaction rate of the
corresponding resin is as much lowered as the energy amount is
insufficient as compared to the case where a wavelength of 300 to 320nm
10 is used. Even if an absorption spectrum of a photoinitiator is shifted to the
long wavelength side of more than 320nm, it is shown that only the

absorption efficiency of energy is improved, but the reaction rate of the corresponding resin does not fall within the same extent.

[00136] (Third Embodiment) FIG.13 is a schematic perspective view of a device for dropping liquid crystal of this embodiment. This device for dropping liquid crystal comprises a dispenser 71 for discharging a predetermined amount of liquid crystal; and a measuring means 72 for measuring the amount of liquid crystal discharged by the dispenser.

[00137] The dispenser 71 discharges a predetermined amount of liquid crystal from a discharge portion of a needle shape, and drops liquid crystal inside a frame pattern formed on a glass substrate.

[00138] The measuring means 72 comprises a laser device 73, an irradiation light source, an optical sensor 74 for sensing a laser light

irradiated from the laser device 73, a data logger 75 for recording an output of the optical sensor 74 depending on time, and a computer 76 for analyzing and displaying a result of recording by the data logger 75.

[00139] In this device for dropping liquid crystal, laser light is irradiated

5 from the laser device 73 to the liquid crystal discharged from the dispenser 71, and the result of sensing the laser light intersecting dropping liquid crystal by the optical sensor 74 is recorded by the data logger 75. At this time, the data logger 75 records, for example, an output change depending on time as shown in FIG.14. The discharge amount of

10 liquid crystal is measured by time-integrating this output by the computer 76. The computer 76 estimates the corresponding weight based on a

written correlation between an output of the optical sensor 74 and the weight of liquid crystal.

[00140] Further, although the illustrate example shows only one optical sensor, two optical sensors may be disposed to measure the discharge amount of liquid crystal in two directions orthogonal to each other, or an additional optical sensor is disposed to measure from multilateral perspectives.

[00141] Further, the dispenser 71 may be constructed in a manner to discharge liquid crystal by moving a piston in a syringe, control the discharge amount according to a stroke of the piston, and automatically change the stroke of the piston based on the result of image processing.

[00142] As for the positional relationship between the dispenser 71 and

the optical sensor 74, as shown in FIG.15, it can be seen that since liquid drops are continuously dropped about 2cm from the liquid crystal discharge port, the discharge amount of liquid crystal is most preferably 1cm. This is because, if the discharge distance is increased to about 2cm or more by a pressure difference between the inner side and outer side of the inside of the needle or by the generation of bubbles, liquid crystal that has been continuously discharge at first becomes discontinuous, thereby reducing the accuracy of measurement.

[00143] Actually, the discharge amount was measured by using this device for dropping liquid crystal. At this time, a number of times of injection is 100,000 per second, a total amount of liquid crystal to be dropped is 250mg and the liquid crystal is dropped at 48 points, thus the

dropping amount per dropping is 5.21mg. The dispenser 71 is set to discharge this amount.

[00144] After dropping, as a result of estimating the total dropping amount from 48 number of times of output of the optical sensor 74, it was

5 245mg. Thus, 5mg was added by using a micro syringe. As a result of measuring the non-uniformity of the cell thickness of the thusly manufactured liquid crystal display panel, a change within about 1% was shown. In the present example, a number of times of injecting discharge liquid crystal can be increased further, thus even a dispenser having the

10 function of repeating discharge within a short time can cope with this phenomenon.

[00145] As described above, according to the device for dropping liquid

crystal of the third embodiment, the quantity of a liquid crystal dropped in
a dropping injection method can be precisely measured and controlled
and the cell thickness can be made uniform by properly controlling the
quantity of a liquid crystal for each dropping region, and a liquid crystal
5 dropping injection having a high reliability can be performed at a good
yield.

[00146] – Modified Example – Here, several modified examples of the
third embodiment will be described.

[00147] (Modified Example 1) In Modified Example 1, as shown in
10 FIG.16(a), a measuring means 77 is constructed to measure the discharge
amount from a liquid drop shape of liquid crystal dropped in a frame
pattern of a glass substrate from a dispenser 71.

[00148] The measuring means 77 comprises a CCD 78 for taking a picture of dropped liquid crystal and a computer 76 for calculating a surface area of an oblique region of liquid crystal 79 from an output of the CCD 78 as shown in FIG.16(b) and estimating the corresponding weight based on a written correlation between the corresponding surface area and the weight (volume) of liquid crystal.

[00149] Further, although the illustrated example shows only one CCD, it may be also possible to dispose a plurality of CCDs for recognize a liquid crystal shape in different directions, in order to improve the accuracy of measurement.

[00150] (Modified Example 2) In Modified Example 2, as shown in FIG.17(a), a measuring means 81 is constructed to measure the discharge

amount from a liquid drop shape of liquid crystal in the air discharged
from a dispenser 71.

[00151] The measuring means 81 comprises a laser device 73, an
irradiation light source, an optical sensor 74 for sensing a laser light
5 irradiated from the laser device 73, a CCD 78 for taking a picture of liquid
crystal dropped in the air at a timing when the optical sensor 74
recognizes the passage of liquid crystal by the laser light, and a computer
76 for calculating a surface area of an oblique region of liquid crystal 79
from an output of the CCD 78 as shown in FIG.17(b) and estimating the
10 corresponding weight based on a written correlation between the
corresponding surface area and the weight (volume) of liquid crystal.

[00152] In this case, since a liquid crystal shape in the air can be surely

recognized by the CCD 78, it can be measured at a high accuracy without being affected by the surface shape of the glass substrate. Further, although the illustrated example shows only one CCD, it may be also possible to dispose a plurality of CCDs for recognize a liquid crystal shape in different directions, in order to improve the accuracy of measurement.

[00153] (Modified Example 3) A device for dropping liquid crystal of Modified Example 3 comprises, as shown in FIG.18(a), a metering and dropping jig 83 having a plurality of thin glass tubes 82, which is a discharge means for discharging a predetermined amount of liquid crystal from the respective thin tubes 82, and a measuring means 85 having respective backing plates 84 corresponding to the respective thin tubes

82 of the metering and dropping jig 83 and for measuring the weight of drops of liquid crystal received on these backing plates 84, wherein the drops of liquid crystal, the weight of which is measured by the measuring means and the discharge amount thereof is specified, are supplied in a
5 manner to be dropped in the frame pattern of the glass substrate by rotating the respective backing plates 84.

[00154] The respective thin tubes 82, as shown in FIG.18(b), is coated with Teflon (Registered Trademark) having a high water repellence on the inner surface contacted with liquid crystal, and has a structure in which
10 liquid crystal is pushed out and discharged by a pressure of inactive gas.

When dropping liquid crystal on a glass substrate, the liquid crystal often remains in the respective thin tubes 82, thus it is preferable to promote

discharge by using inactive gas. And, liquid crystal can be discharged more effectively by coating Teflon on the inner surface of the respective thin tubes 82.

[00155] (Fourth Embodiment) In this embodiment, a preferred liquid

5 crystal material to which a liquid dropping method is applied is disclosed.

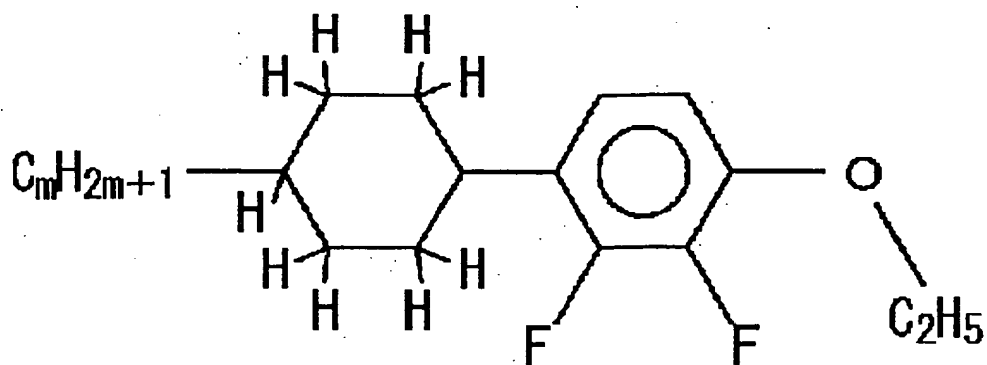
The liquid crystal material of this example includes a liquid crystal

compound expressed by the following general formula and the number m

of carbon atoms of the end alkyl group thereof is greater than two.

[00156]

10 [Chemical Formula 3]



[00157] If the liquid crystal comprising a liquid crystal compound expressed by the following formula and having a number m of carbon atoms of the end alkyl group thereof of an even number is used, the

5 specific resistance of bulk liquid crystal can be kept high.

[00158] In the present example, there are prepared a liquid crystal a having a number m of the general formula of an even number and a liquid crystal a' having a number m of the general formula of an odd number, both of them comprising a neutral component having no polar group as a

10 common matrix. The specific resistance values of bulk liquid crystal for

the two liquid crystal materials are compared according to the following condition.

[00159] The liquid crystal comprising a neutral component having no polar group and having a number m of the general formula of an even number can obtain a good result in all of initial specific resistance, specific resistance after being left under a high temperature, and specific resistance after being exposed to ultraviolet rays (UV), as compared to liquid crystal comprising the same component and having a number m of an odd number.

10 [00160] Furthermore, it is preferable that the liquid crystal is restricted to the liquid crystal compounds of the general formula having a number m of 2 and 4. Generally, if the end of a liquid crystal compound is lengthened,

the liquid crystal display device is directed in a non-preferable way, including an increase of the viscosity of liquid crystal and a decrease of the response speed. The liquid crystal compound of the general formula functions to keep a wide nematic phase even when the temperature range of a mixed liquid crystal is at a low temperature side. In this case, it is preferred to include more than two kinds of compounds having a different number m as a chemical compound. Therefore, in order to restrain an increase of the viscosity of liquid crystal, it is preferable to use compounds having a number m of 2 and 4.

10 [00161] It is necessary to make the liquid crystal material have a low viscosity and improve the response speed of the device for dropping liquid crystal. In the dropping injection method, a vacuum left state

(including an exhaustion time) upon attaching is very short.

Conventionally, the exhaustion time requiring several hours can be

shortened to several minutes. Thus, conventionally, since liquid crystal

volatilizes in vacuum, it is necessary to adjust the liquid crystal by a liquid

5 crystal compound with a restrained volatility. Meanwhile, in the dropping

injection method, even material with volatility can be treated for mass

production.

[00162] Further, if a low viscous material that reduces the viscosity of

liquid crystal is applied, the viscosity of liquid crystal can be reduced by

10 more than 15% as compared to that before the application of viscous

liquid crystal (FIG.21: liquid crystal E -> liquid crystal D). At this time, the

volatility of the liquid crystal shows a reduction (volatilization) of more than 1% in the weight ratio.

[00163] As a result of measuring the T-V property, there is no significant difference between before the application of a low viscous material and
5 after the application thereof. Meanwhile, it is seen that the response property can be accelerated and effective by including a halftone response.

[00164] Further, from the relation with the specification of the liquid crystal display device, display characteristics, such as luminance
10 (transmittance), response speed and so on, or mass productivity can be improved by using a liquid crystal material having a transparent point of

more than 70°, satisfying the dielectric isotropy $\Delta\epsilon$ of $-4.0 \leq \Delta\epsilon < 0$, and

having a refractive index isotropy Δn of more than 0.1000.

[00165] Moreover, if such a liquid crystal display device has a multi-

domain structure in which its liquid crystal molecules are aligned in more

5 than two directions, the viewing angle property can be improved, thereby

making the liquid crystal display device suitable for use in a liquid crystal

monitor or the like.

[00166] - Experimental Example – Hereinafter, an experimental example

in which a liquid crystal display device according to a fourth embodiment

10 is manufactured and several display characteristics are investigated will

be described.

[00167] (Experimental Example 1) A substrate having an ITO electrode is used, a product name JALS-684 (manufactured by JSR Company) is formed as an orientation film by a spinner, a predetermined spacer (cell thickness: 4.0 μ m) is applied, and they are attached by using a

5 **thermosetting sealing material, thereby manufacturing a hollow cell.**

[00168] A liquid crystal A having a number m of 1 and 3 and liquid crystals B and C having a number m of 2 and 4 are injected into respective hollow cells and sealed, and a polarizing plate is attached to the liquid crystal in a cross nicol configuration, thereby manufacturing a VA cell.

10 **[00169] As shown in FIG.20, the voltage retention, ion density, and residual DC voltage of each of cells are measured, and differences between their electrical properties are investigated. Liquid crystal A, liquid**

crystal B and liquid crystal C have physical properties as shown in Table

1. Further, (a) and (b) show a voltage retention, (c) show an ion density, and (d) show a residual DC voltage. As a result of the experiment, liquid crystals B and C (number $m = 2, 4$) are improved in electric properties as compared to liquid crystal A (number $m = 1, 3$), and dependence by cumulative component is shown.

[00170]

【Table 1】 Liquid Crystal A Liquid crystal B Liquid Crystal C Liquid Crystal D Liquid Crystal E

	液晶A	液晶B	液晶C	液晶D	液晶E
NI点	71°C	72°C	73°C	72°C	70°C
Δn	0.0822	0.0826	0.0810	0.1014	0.1007
$\Delta \epsilon$	-3.8	-3.6	-3.6	-3.5	-3.5
K_{11}	13.6	12.8	13.7	11.8	10.8
K_{33}	14.7	13.2	13.9	13.6	12.5
γ_1	135	139	142	190	157

10

[00171] (Experimental Example 2) The specific resistances of liquid

crystals A, B and C were measured. They were investigated according to

four conditions: 1) the initial value of bulk liquid crystal, 2) after UV

exposure (100 mW/cm², 60 seconds), 3) after heating (120°C, 60 seconds),

5 and after dropping UV curing resin (contamination dependence). Liquid

crystals B and C (number m = 3, 4) can obtain a result superior than liquid

crystal A (number m = 1, 3), especially, data after UV exposure is

improved in its specific resistance by one digit.

[00172] (Experimental Example 3) A difference between liquid crystal D

10 before the application of a low viscous material and liquid crystal E after

the application thereof were investigated. The applied liquid crystal D is

liquid crystal which has no problem even if a conventional vacuum deep

injection was used. Meanwhile, a low viscous material was applied to

liquid crystal E, the liquid crystal has volatility to vacuum leaving.

[00173] As a result of the experiment, as shown in FIG.21, it is seen that

liquid crystal E shows a change (reduction) in weight by 1% or so after

5 one hour leaving, and has a volatility higher enough than liquid crystal D.

[00174] A VA cell was manufactured in the same order as the third

embodiment except that liquid crystals D and E are used and a spacer is

modified (cell thickness: $3.5\mu\text{m}$). T-V properties are the same. As shown in

FIG.22, as a result of investigating the response speed, for every applied

10 voltage, liquid crystal E having a low viscous material applied thereto was

accelerated as compared to liquid crystal D, especially, the effect of the

acceleration was large in a halftone region equivalent to a low gradation side.

[00175] As described above, according to a fourth embodiment, a liquid crystal material most suited for the dropping injection method can be provided, and thus the viscosity of the liquid crystal can be restrained so as to be low to accelerate the response speed, especially halftone response speed, and enable the improvement of the display characteristics.

[00176] Hereinafter, several aspects of the present invention will be described in appendices.

[00177] (Appendix 1) A method of manufacturing a liquid crystal display device, in which a frame pattern is formed by applying a sealing material

to the peripheral part of a picture display region provided on one out of a pair of substrates, the liquid crystal is dropped inside the frame pattern and the substrates are attached to each other, and the sealing material is hardened, wherein the sealing material is applied so as to position a starting point and an end point of the sealing material application outside the frame pattern.

[00178] (Appendix 2) The method of manufacturing a liquid crystal display device of Appendix 1, wherein the sealing material is coated so as to position at least one of the starting point and the end point on an unmounted side of the substrate.

[00179] (Appendix 3) The method of manufacturing a liquid crystal display device of Appendix 2, wherein at least one of the starting point

and the end point is linked with the frame pattern so as to intersect the
unmounted side.

[00180] (Appendix 4) The method of manufacturing a liquid crystal
display device of Appendix 1, wherein a seal pattern is continuously
5 formed by using the sealing material by making the starting point and the
end point consistent with each other on the substrates.

[00181] (Appendix 5) A method of manufacturing a liquid crystal display
device, in which a frame pattern is formed by applying a sealing material
to the peripheral part of a picture display region provided on one out of a
10 pair of substrates, the liquid crystal is dropped inside the frame pattern
and the substrates are attached to each other, and the sealing material is
hardened, wherein in order to conduct the pair of substrates, ultraviolet

rays formed of parallel rays for hardening resin are spot irradiated onto a transfer seal, formed by incorporating conductive particles into resin, from a vertical direction or sloping direction of the substrate.

[00182] (Appendix 6) A method of manufacturing a liquid crystal display

5 device, in which a frame pattern is formed by applying a sealing material to the peripheral part of a picture display region provided on one out of a pair of substrates, the liquid crystal is dropped inside the frame pattern and the substrates are attached to each other, and the sealing material is hardened, wherein in order to conduct the pair of substrates, a transfer

10 seal, formed by incorporating conductive particles into resin, is applied, the transfer seal is hardened by ultraviolet irradiation for attaching the substrates by hardening the resin, and the substrates are thermally

treated, being supported in parallel by a support case, after the irradiation of ultraviolet rays.

[00183] (Appendix 7) A method of manufacturing a liquid crystal display device, in which a frame pattern is formed by applying a sealing material to the peripheral part of a picture display region provided on one out of a pair of substrates, the liquid crystal is dropped inside the frame pattern and the substrates are attached to each other, and the sealing material is hardened, wherein the pair of substrates are conducted by a transfer seal formed by incorporating particles coated with a transparent conductive film on the surface.

[00184] (Appendix 8) A liquid crystal display device, in which a frame pattern is formed by applying a sealing material to the peripheral part of a

picture display region provided on one out of a pair of substrates, the liquid crystal is dropped inside the frame pattern and the substrates are attached to each other, and the sealing material is hardened, wherein a film for reflecting ultraviolet rays irradiated for hardening the resin is formed as an electrode on a lower part of a transfer seal for conducting the pair of substrates.

[00185] (Appendix 9) The method for manufacturing a liquid crystal display device of Appendix 8, wherein an aluminum film or silver film is used as the film for reflecting ultraviolet rays and formed on the substrate at a thin film transistor side.

[00186] (Appendix 10) A method of manufacturing a liquid crystal display device, in which a frame pattern is formed by applying a sealing

material to the peripheral part of a picture display region provided on one
out of a pair of substrates, the liquid crystal is dropped inside the frame
pattern and the substrates are attached to each other, and the sealing
material is hardened, wherein a liquid crystal orientation film is formed on
5 the region where the ends thereof become an outer side of an inner
circumferential side of the sealing material and an inner side of an outer
circumferential side of the sealing material, light having a wavelength of
about 300 to 500nm is irradiated, and the sealing material is hardened.

[00187] (Appendix 11) The method for manufacturing a liquid crystal
10 display device of claim Appendix 10, wherein the ends of the orientation
film on the substrate where at least a color filter is formed are formed on
the region where the ends thereof become an outer side of an inner

circumferential side of the sealing material and an inner side of an outer circumferential side of the sealing material, light having the above wavelength is irradiated from the corresponding substrate side, and the sealing material is hardened.

5 [00188] (Appendix 12) The method for manufacturing a liquid crystal display device of Appendix 10 or 11, wherein a filter for blocking almost all wavelengths except for the corresponding wavelength is arranged at an irradiation light source side as a means for irradiating light having a wavelength of about 300 to 500nm.

10 [00189] (Appendix 13) The method for manufacturing a liquid crystal display device of one of Appendices 10 to 12, wherein the amount of light for hardening the sealing material is preferably less than about 3000

mJ/cm² relative to line I.

[00190] (Appendix 14) A device for dropping liquid crystal, comprising: a

dispenser means for discharging a predetermine amount of liquid crystal;

and a measuring means for measuring the amount of liquid crystal

5 discharged by the dispenser means, the measuring means having an

optical sensor, integrating a change in signals of the corresponding

optical sensor generated when liquid discharged from the dispenser

means passes through the optical sensor, and measuring the amount of

liquid crystal discharged.

10 [00191] (Appendix 15) The device for dropping liquid crystal of Appendix

14, wherein the measuring means measures the discharge amount of

liquid crystal in a manner that laser light is irradiated in a direction almost

perpendicular to discharge liquid crystal, and the output of the laser light is changed by the discharge liquid crystal intersecting this laser light to detect it by the optical sensor.

[00192] (Appendix 16) The device for dropping liquid crystal of Appendix

5. 14 or 15, wherein the discharge amount of liquid crystal is measured in at least two directions.

[00193] (Appendix 17) The device for dropping liquid crystal of Appendix

16, wherein the discharge amount of liquid crystal is measured in two directions almost orthogonal to each other

- 10 [00194] (Appendix 18) The device for dropping liquid crystal of one of

Appendices 14 to 17, wherein the optical sensor is disposed at a position within 2cm from a liquid crystal discharge port of the dispenser means.

[00195] (Appendix 19) A device for dropping liquid crystal, comprising: a dispenser means for recognizing a drop shape of liquid crystal discharged by the dispenser means and estimating the discharge amount of liquid crystal of the sealing material based on the corresponding shape.

5 [00196] (Appendix 20) The device for dropping liquid crystal of Appendix 19, wherein the measuring means optically recognizes the drop shape of liquid crystal, and estimates the discharge amount of liquid crystal of the sealing material from an image of the corresponding shape.

[00197] (Appendix 21) The device for dropping liquid crystal of Appendix 10 20, wherein the optical sensor may be disposed near a liquid crystal discharge port of the dispenser means to thus estimate the discharge amount of liquid crystal of the sealing material from the image of the drop

shape of liquid crystal by using as a trigger signal a signal of the corresponding optical sensor generated when discharged liquid crystal passes through the optical sensor.

[00198] (Appendix 22) The device for dropping liquid crystal of one of

5 Appendices 19 to 21, wherein the dispenser means discharges liquid crystal by moving a piston in a syringe, controls the discharge amount according to a stroke of the piston, and automatically changes the stroke of the piston based on the result of the image processing.

[00199] (Appendix 23) A device for dropping liquid crystal, comprising: a

10 discharge means having a plurality of thin tubes and for discharging a predetermined amount of liquid crystal from the respective thin tubes; and a measuring means having respective backing plates corresponding

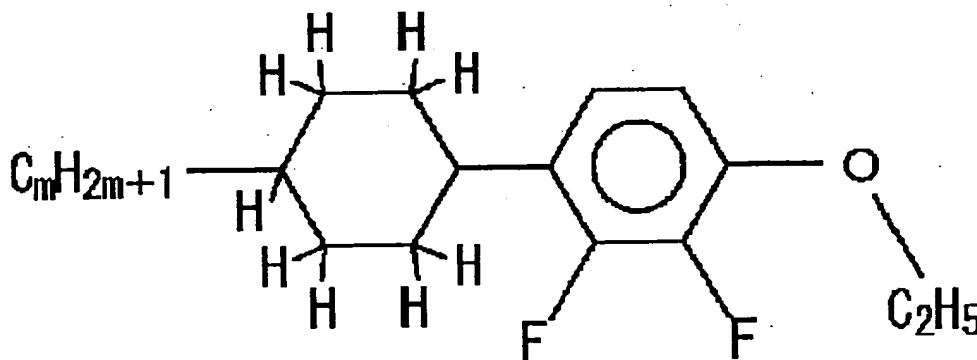
to the respective thin tubes and for measuring the weight of drops of liquid crystals received on the respective backing plates, wherein the drops of liquid crystal, the weight of which is measured by the measuring means and the discharge amount thereof is specified, are supplied from the respective backing plates.

[00200] (Appendix 24) The device for dropping liquid crystal of Appendix 23, wherein water repellent finishing for splashing liquid crystal on a liquid crystal contact region of the measuring means is performed. By this, the remaining of liquid crystal is prevented as much as possible, and a still more accurate amount of liquid crystal can be supplied.

[00201] (Appendix 25) A liquid crystal display device of a vertical orientation, which has a pair of substrates, at least one of which being

transparent, a frame pattern is formed by applying a sealing material 21 to the peripheral part of a picture display region, liquid crystal whose dielectric isotropy is negative is dropped inside the frame pattern and the substrates are attached to each other, and the sealing material is hardened, wherein the liquid crystal material comprises a liquid crystal compound expressed by the following general formula and the number m of carbon atoms of the end alkyl group thereof is greater than two.

[Chemical Formula 4]



10 [00202] (Appendix 26) The liquid crystal device of claim 25, wherein the

liquid crystal compound has a number m of carbon atoms of the end alkyl group thereof 2 or 4.

[00203] (Appendix 27) A liquid crystal device of a vertical orientation,

which has a pair of substrates, at least one of which being transparent, a

5 frame pattern is formed by applying a sealing material 21 to the peripheral

part of a picture display region, liquid crystal whose dielectric isotropy is

negative is dropped inside the frame pattern and the substrates are

attached to each other, and the sealing material is hardened, wherein the

liquid crystal material comprises a neutral liquid crystal compound having

10 no polarity, and the liquid crystal comprising this neutral liquid crystal

compound has a high volatility with which the weight ratio decreases by

1% or more in a vacuum state when dropped, and has a rotational

viscosity lower by 15% or more as compared to the nonvolatile neutral liquid crystal compound.

[00204] (Appendix 28) The liquid crystal device of Appendix 27, wherein the liquid crystal material has a transparent point of more than 70°,

- 5 satisfies the dielectric isotropy $\Delta\epsilon$ of $-4.0 \leq \Delta\epsilon < 0$, and has a refractive index isotropy Δn of more than 0.1000.

[00205]

- [Effect of the Invention] According to the first embodiment, to restrain display non-uniformity caused from a decrease of retention, which may
- 10 easily occur due to a sealing material, manufacture a liquid crystal dropping device conveniently at a high yield by using a dropping injection method, and realizes a liquid crystal dropping device having a high

reliability.

[00206] Furthermore, it is possible to realize a device for dropping liquid
crystal which performs a liquid crystal dropping injection having a good
yield and a high reliability by enabling the quantity of a liquid crystal
5 dropped in a dropping injection method to be precisely measured and
controlled and making the cell thickness uniform by properly controlling
the quantity of a liquid crystal for each dropping region.

[00207] Furthermore, it is possible to realize a liquid crystal display
device which restrains the viscosity of the liquid crystal so as to be low by
10 using a liquid crystal material most suited for the dropping injection
method, accelerates the response speed, especially halftone response
speed and improves display properties further more.

[Description of Drawings]

FIG.1 is a schematic cross sectional view showing a general main construction of a liquid crystal display device.

- 5 **FIG.2 is a schematic plane view showing the shape of a glass substrate with a frame pattern formed before a liquid crystal injection process is performed by a dropping injection method.**

FIG.3 is a schematic plane view showing a main construction (two surfaces) of modified example 1 of the first embodiment.

- 10 **FIG.4 is a schematic plane view showing a main construction (four surfaces) of modified example 1 of the first embodiment.**

FIG.5 is a schematic view showing a main process of modified example 2

of the first embodiment.

FIG.6 is a schematic perspective view showing a substrate carrier cassette of modified example 3 of the first embodiment.

FIG.7 is a schematic perspective view showing ultraviolet irradiation after
5 a liquid crystal injection process is carried out by a dropping injection method in a second embodiment.

FIG.8 is a schematic cross sectional view showing a glass substrate with the inside of circle C in FIG. 7 is magnified.

FIG.9 is a schematic perspective view showing comparative examples of
10 the second embodiment.

FIG.10 is a characteristic view showing the wavelength dependence of transmittance.

FIG.11 is a characteristic view showing the photolysis reaction of liquid crystal.

FIG.12 is a schematic perspective view showing comparative examples 1 and 2 of the second embodiment.

5 FIG.13 is a schematic perspective view of a device for dropping liquid crystal of a third embodiment.

FIG.14 is a characteristic view showing an output change depending on the time of an optical sensor.

FIG.15 is a schematic block diagram showing the positional relationship
10 between a dispenser and the optical sensor.

FIG.16 is a schematic block diagram showing modified example 1 of the device for dropping liquid crystal of the third embodiment.

FIG.17 is a schematic block diagram showing modified example 2 of the device for dropping liquid crystal of the third embodiment.

FIG.18 is a schematic block diagram showing modified example 3 of the device for dropping liquid crystal of the third embodiment.

5 FIG.19 is a characteristic view showing the initial specific resistance of liquid crystal material, the specific resistance after a high temperature leaving, and the specific resistance after UV exposure in a fourth embodiment.

FIG.20 is a characteristic view showing the result of measuring the
10 voltage retention, ion density and residual DC voltage of each of cells in experimental example 3.

FIG.21 is a characteristic view showing the result of investigating a

difference in volatility between liquid crystal before the application of a low viscous material and liquid crystal after the application thereof.

FIG.22 is a characteristic view showing the result of investigating a difference in acceleration between liquid crystal before the application of

5 a low viscous material and liquid crystal after the application thereof.

FIG.23 is a schematic view for explaining problems about a sealing material in the prior art.

FIG.24 is a schematic view for explaining problems about the sealing material in the prior art.

10 FIG.25 is a schematic view for explaining problems about the sealing material in the prior art.

FIG.26 is a schematic view for explaining problems about the sealing

material in the prior art.

FIG.27 is a schematic view for explaining problems about the sealing

material in the prior art.

FIG.28 is a schematic view for explaining problems about the sealing

5 material in the prior art.

[Description of Reference Numerals]

1, 2, 22 glass substrate

21, 41, 42 main seal

23 shielding film

10 24 transfer seal

31, 44 overlapping portion

31a starting point

- 31b ending point
- 45 conductive particles
- 46 transparent electrode
- 47 reflective film
- 5 52 substrate carrier cassette
- 64 blocking filter for short wavelengths less than 300nm
- 65 blocking filter for long wavelengths of 500nm or less
- 71 dispenser
- 72, 77, 85 measuring means
- 10 73 laser device
- 74 optical sensor
- 75 data logger

- 76 **computer**

- 78 **CCD**

- 82 **thin glass tube**

- 83 **metering and dropping jig**

- 5 84 **backing plate**

(19)日本国特許庁 (J P)

(12) 公開特許公報 (A)

(11)特許出願公開番号

特開2002-122870

(P2002-122870A)

(43)公開日 平成14年4月26日(2002.4.26)

(51)Int.Cl. ⁷	識別記号	F I	テマコード(参考)
G 0 2 F 1/1339	5 0 5	G 0 2 F 1/1339	5 0 5 2H089
C 0 9 K 19/30		C 0 9 K 19/30	2H092
G 0 2 F 1/13	5 0 0	G 0 2 F 1/13	5 0 0 4H027
	1/1341		1/1341
	1/1345		1/1345

審査請求 未請求 請求項の数11 OL (全 25 頁)

(21)出願番号 特願2000-314130(P2000-314130)

(22)出願日 平成12年10月13日(2000.10.13)

(71)出願人 000005223

富士通株式会社

神奈川県川崎市中原区上小田中4丁目1番1号

(72)発明者 田代 国広

神奈川県川崎市中原区上小田中4丁目1番1号 富士通株式会社内

(72)発明者 吉見 琢也

神奈川県川崎市中原区上小田中4丁目1番1号 富士通株式会社内

(74)代理人 100090273

弁理士 園分 孝悦

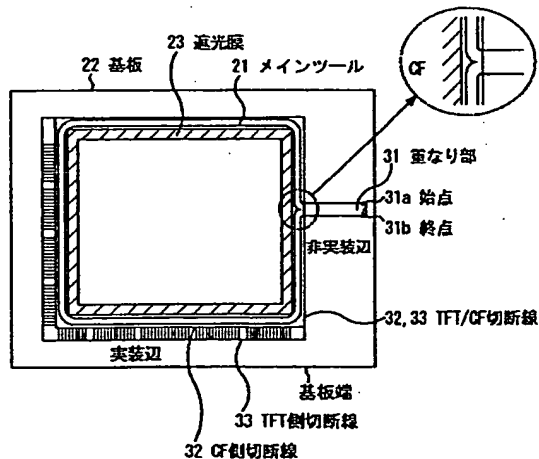
最終頁に続く

(54)【発明の名称】 液晶表示装置及びその製造方法、並びに液晶滴下装置

(57)【要約】

【課題】 滴下注入法による液晶の滴下量を精密に測定・制御することを可能とするとともに、滴下注入法に最も適した液晶材料を用いることにより、その液晶粘性を小さく抑え、応答速度、特に中間調の高速化を図り、歩留まり良く簡便に液晶表示装置を製造する。

【解決手段】 一对の基板の一方(基板22)に設けられる画像表示領域の周辺部にシール剤21を塗布して枠パターンを形成し、枠パターン内に液晶を滴下して各基板を貼り合せ、シール剤21を硬化することにより液晶表示装置を対象とし、枠パターン外にシール剤塗布の始点31aと終点31bが位置するように、シール剤21を塗布する。



第1の実施形態

【特許請求の範囲】

【請求項1】 一对の基板の一方に設けられる画像表示領域の周辺部にシール剤を塗布して枠パターンを形成し、前記枠パターン内に液晶を滴下して前記各基板を貼り合せ、前記シール剤を硬化することにより液晶表示装置を製造する方法であって、前記枠パターン外に前記シール剤塗布の始点又は終点の少なくとも一方が位置するように、前記シール剤を塗布することを特徴とする液晶表示装置の製造方法。

【請求項2】 一对の基板の一方に設けられる画像表示領域の周辺部にシール剤を塗布して枠パターンを形成し、前記枠パターン内に液晶を滴下して前記各基板を貼り合せ、前記シール剤を硬化することにより液晶表示装置を製造する方法であって、前記一对の基板間を導通させるため、樹脂に導電性粒子を混入してなるトランスファシールに、前記樹脂を硬化するため、平行光からなる紫外線を基板鉛直方向又は斜め方向からスポット照射することを特徴とする液晶表示装置の製造方法。

【請求項3】 一对の基板の一方に設けられる画像表示領域の周辺部にシール剤を塗布して枠パターンを形成し、前記枠パターン内に液晶を滴下して前記各基板を貼り合せ、前記シール剤を硬化することにより液晶表示装置を製造する方法であって、前記一对の基板間を導通させるため、樹脂に導電性粒子を混入してなるトランスファシールを塗布し、前記樹脂を硬化して前記基板同士を貼り合わせるため、紫外線照射によりこれを硬化した後、前記紫外線の照射後に、支持筐体により前記基板を平行保持した状態で前記基板を熱処理することを特徴とする液晶表示装置の製造方法。

【請求項4】 一对の基板の一方に設けられた画像表示領域の周辺部にシール剤の塗布による枠パターンが形成され、前記枠パターン内に液晶を滴下して前記各基板を貼り合せ、前記シール剤が硬化されてなる液晶表示装置であって、透明導電膜を表面にコーティングした粒子を混入してなるトランスファシールにより前記一对の基板間が導通していることを特徴とする液晶表示装置。

【請求項5】 一对の基板の一方に設けられた画像表示領域の周辺部にシール剤の塗布による枠パターンが形成され、前記枠パターン内に液晶を滴下して前記各基板を貼り合せ、前記シール剤が硬化されてなる液晶表示装置であって、樹脂に導電性粒子を混入してなり、前記一对の基板間を導通させるトランスファシール下の電極として、前記樹脂を硬化するために照射する紫外線を反射する膜が形成されていることを特徴とする液晶表示装置。

【請求項6】 一对の基板の一方に設けられる画像表示領域の周辺部にシール剤を塗布して枠パターンを形成

し、前記枠パターン内に液晶を滴下して前記各基板を貼り合せ、前記シール剤を硬化することにより液晶表示装置を製造する方法であって、

液晶の配向膜をその端部が前記シール剤の内周辺側且つ外周辺内側となる領域に形成し、ほぼ300nm以上500nm未満の波長の光を照射して、前記シール剤の硬化を行うことを特徴とする液晶表示装置の製造方法。

【請求項7】 所定量の液晶を吐出するディスペンサ手段と、前記ディスペンサ手段による液晶の吐出量を測定する測定手段とを備え、

前記測定手段は、光学センサを有し、前記ディスペンサ手段から吐出した液晶が前記光学センサを通過した際に生じる当該光学センサの信号変動を積分し、液晶の吐出量を測定することを特徴とする液晶滴下装置。

【請求項8】 所定量の液晶を吐出するディスペンサ手段と、前記ディスペンサ手段により吐出された液晶の液滴形状を認識し、これに基づいて実際の液晶の吐出量を推定する液晶測定手段とを備えたことを特徴とする液晶滴下装置。

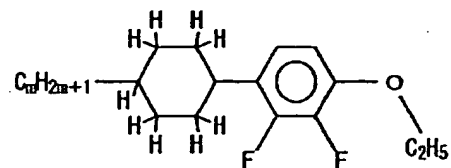
【請求項9】 複数の細管を有し、前記各細管から所定量の液晶を吐出する吐出手段と、前記吐出手段の各細管に対応した各受け皿を有し、前記各受け皿で受け取った液晶の液滴の重量をそれぞれ測定する測定手段とを備え、

前記測定手段により重量が測定され吐出量が特定された液晶の液滴を、前記各受け皿から供給することを特徴とする液晶滴下装置。

【請求項10】 少なくとも一方が透明である一对の基板を有し、画像表示領域の周辺部にシール剤の塗布による枠パターンが形成され、前記枠パターン内に誘電率異方向性が負の液晶を滴下して前記各基板を貼り合せ、前記シール剤が硬化されてなる垂直配向型の液晶表示装置であって、

下記的一般式で表される液晶化合物を含み、その末端アルキル基の炭素数mが2以上の偶数である液晶材料を用いたことを特徴とする液晶表示装置。

【化1】



【請求項11】 少なくとも一方が透明である一对の基板を有し、画像表示領域の周辺部にシール剤の塗布による枠パターンが形成され、前記枠パターン内に誘電率異方向性が負の液晶を滴下して前記各基板を貼り合せ、前記シール剤が硬化されてなる垂直配向型の液晶表示装置で

あって、前記液晶材料は極性を有しないニュートラル液晶化合物を含み、このニュートラル液晶化合物を含む液晶は、滴下された際に真空放置下で重量比が1%以上減少する高揮発性を有し、非揮発性のニュートラル液晶化合物に比して回転粘性が15%以上低いものであることを特徴とする液晶表示装置。

【発明の詳細な説明】

【0001】

【発明の属する技術分野】本発明は、基板に紫外線硬化樹脂又は紫外線+熱硬化樹脂を形成してなる枠パターン内に液晶を滴下して上下基板を貼り合せ、前記樹脂を硬化してなる液晶表示装置及びその製造方法、並びに上述の滴下注入法を行なうための液晶滴下装置に関する。

【0002】

【従来の技術】従来から、液晶表示パネルの作製に際して、液晶の注入工程では、封止されたセルに設けられた注入口から当該パネル内に注入する手法が用いられている。近時では、液晶表示パネルの大画面化の要請が高く、この手法では十分な表示特性を得ることが困難となりつつある。

【0003】そこで、セル基板の画像表示領域の周辺部に紫外線硬化樹脂もしくは(紫外線+熱)による硬化樹脂からなるシール剤を塗布して枠パターンを形成し、この枠パターン内に液晶を滴下して各基板を貼り合わせる滴下注入法が目ざされている。この滴下注入法は、液晶注入工程を含むパネル化工程の大幅な時間短縮化、簡略化を実現し、低コストで信頼性の高い液晶表示パネルの製造を可能とするとともに、当該滴下注入法を用いて作製された液晶表示パネルは、正面からのコントラスト比が極めて高く、視覚特性に優れ、白黒の応答性が良好であるという優位性を有しており、高性能な大画面の液晶モニタに適用して好適である。

【0004】

【発明が解決しようとする課題】このように、滴下注入法による液晶注入には、製造工程上及び製品の表示特性上極めて優れた効果を奏する反面、以下に示すような改善すべき諸々の問題点がある。

【0005】-シール剤に関する問題-

(1):図23参照

滴下注入法では、セル(基板101)に注入口を要しないため、メインシール102は閉じた枠パターンとなるが、ディスペンサを用いて閉じた枠パターンを形成するとシール塗布の始点と終点が重なり、その部分103ではシール幅が大きくなる。表示領域周辺部には遮光膜104が形成されており、シール幅が大きくなるとシール剤の一部が遮光されて硬化不良が発生する(図23

(a))。このため従来技術では、シール剤が遮光されないようにメインシール102を遮光膜から十分に離して行うか、シール塗布の始点と終点をマージンの大きな

コーナー部にする方法(特開平8-240807公報参照)が提案されている(図23(b))。

【0006】しかしながら、シール剤が遮光されないようにメインシール102を遮光膜から十分に離して形成すると、画像表示領域104に対して外形寸法の割合が大きくなってしまふ。また、シール塗布の始点と終点をコーナー部にすると、確かにシール剤は直線部より遮光膜にかかり難くなる。しかしそれは、遮光膜とシール剤との距離が直線部の約1.4倍になるためであり、重なり部103の膨らみはその距離以上に大きくなれば遮光膜にかかり、やはり硬化不良が発生することになる。

【0007】(2):図24参照

トランスファシール106は上下基板間の導通をとるため、シール剤中に導電性粒子108を混入し、上下の透明電極107に挟まれる位置に形成される。従来、導電性粒子108には抵抗の低いニッケルや金を表面にコーティングした樹脂粒子を用いている。

【0008】トランスファシール106にニッケルや金を表面にコーティングした樹脂粒子108を混入すると紫外線は吸収もしくは反射するため、紫外線はシール内部に到達し難くなる。それに加えてトランスファシール102は透明電極107に挟まれているため、紫外線は透明電極107により減衰される。シール剤を硬化させるための光量と液晶が劣化する光量が近い場合、透明電極107による減衰を考慮してメインシール102及びトランスファシール106に紫外線を一括照射すると、透明電極107の無いメインシール102に隣接する液晶は劣化して保持率低下が発生する。

【0009】(3):図25参照

シール剤が紫外線硬化樹脂の場合では硬化率向上のため、(紫外線+熱)による硬化樹脂では熱硬化を行うため、紫外線照射後に液晶のアイソトロピック処理と同時に熱処理が行われる。滴下注入では紫外線照射までの工程は枚葉式であり、時間を要する熱処理工程はバッチ式で行っている。このため基板を搬送用カセット108に収納し、それを熱硬化炉に入れて熱処理を行っている。

【0010】搬送用カセット108は、搬送アームが基板101を出し入れできるように、基板端で基板101を支持する構造とされている。このため、搬送用カセット108では、基板101を平行保持する事ができず、基板101が混んでしまふ。シール剤が紫外線照射のみで完全硬化していれば問題無いが、多くの場合は熱処理により完全硬化するため熱処理初期には基板保持力が未だ弱く、歪みの影響を受けて位置ずれが発生する。

【0011】(4):図26~図28参照

紫外線硬化樹脂又は(紫外線+熱)による硬化樹脂を硬化させる場合、当該樹脂以外の部位を遮光マスク112でマスキングをしてUVランプ113から紫外線照射するのが一般的である(図26(a))。この際、基板を介して液晶が紫外線に曝されないようにするため、当該

樹脂とマスク端はほぼ面一になるように位置合わせを行う(図26(b))。しかしながら、当該樹脂の塗布幅はかなり厳密に管理しない限り、±0.2mm程度のバラツキを持つため、樹脂と遮光マスクが重ならないようにするには、樹脂端とマスク端にこの程度の寸法マージンを持たせる必要がある。このマージン領域に紫外線が照射されると液晶は光分解を起こして電圧保持率が低下してしまう。更に、拡散光源の場合には紫外線は斜め方向からも照射されるためマスク端内側にも回り込み、マスク端近傍の電圧保持率も低下してしまう。

【0012】この問題に対処するため、特開平2-308221号公報ではシール部分を除く基板表面に紫外線遮蔽層を形成して紫外線照射する方法が、特開平8-101395号公報では所定のパターンを有するマスク及び特定波長以下の紫外線をカットするフィルタを介して紫外線照射する方法(図27)が、特開平10-221700号公報では表示領域の外側に紫外線をカットするバンドパスフィルタを形成して紫外線照射する方法がそれぞれ提案されている。

【0013】液晶の光分解は概ね320nm未満の短波長で発生するため、それより長波長の波長を照射して当該樹脂を硬化すれば液晶の光分解は最小限に抑えられる。しかしながら、紫外線硬化樹脂の硬化には300nm以上320nm未満の波長も必要であり、それより長波長で樹脂を硬化させると反応率が低下する。反応率が低下すると熱処理において樹脂の未硬化成分が液晶中に溶出して液晶を汚染してしまう。

【0014】また、液晶の光分解が起こらない波長、即ち320nm以上の長波長だけで同等の重合反応が進行する紫外線硬化樹脂を選択することも可能であるが、樹脂材料の選択肢はかなり狭く、樹脂材料の液晶への汚染性・塗布安定性・硬化物性を考慮すると従来の樹脂より信頼性が低下してしまう。

【0015】特開平2-308221号公報に開示された紫外線遮蔽層は、液晶の光分解を防止するため紫外線をほぼ遮蔽するフィルタであり、300nm以上320nm未満の波長の透過率をかなり低く抑えている(数%~10%程度)。従って、シール部分と紫外線遮蔽層が重なるとその部分では樹脂の反応率が低下し、熱処理において樹脂の未硬化成分が液晶中に溶出して液晶を汚染してしまう。

【0016】特開平8-101395号公報に開示されたフィルタは、液晶の光分解を防止するため液晶に有害な特定波長以下の紫外線をカットするフィルタであり、300nm以上320nm未満の波長の透過率をかなり低く抑えている(図28)。従って、フィルタ越しに樹脂を硬化させると当該樹脂の反応率が低下し、熱処理において該樹脂の未硬化成分が液晶中に溶出して液晶を汚染してしまう。

【0017】特開平10-221700号公報に開示さ

れたバンドパスフィルタは、液晶の光分解を防止するため液晶に有害な短波長と、熱源である長波長をカットするフィルタであり、300nm以上320nm未満の波長の透過率を低く抑えている(10~20%程度)。従って、フィルタ越しに樹脂を硬化させると当該樹脂の反応率が低下し、熱処理において当該樹脂の未硬化成分が液晶中に溶出して液晶を汚染してしまう。

【0018】-液晶滴下量の制御に関する問題-

滴下注入法では、ディスペンサ手段を用いて滴下する際に、滴下した液晶の量により基板のセル厚の精度が決まるため、滴下量を正確に計測する必要がある。しかしながら従来方法では、如何に制御の正確を尽くしても、ディスペンサ手段のニードル内に液体が残存することが避けられず、実際の滴下量が想定した滴下量と一致しているか不明であり、両者が異なることも多々ある。この場合、基板上に滴下した液晶を基板毎に重量を測定することによって液晶量を図る方法があるが、液晶パネルの大画面化が要求される昨今では非常に使いづらい方法である。

【0019】-液晶材料に関する問題-

現在、液晶表示装置の表示特性を向上させると同時に、その低価格化も必要とされており、前述のように低コスト化には滴下注入法が有効であり、これによりパネル化工程を大幅に簡略化させることができる。ところが、滴下注入法では、液晶材料を注入する方法、一對の基板を貼り合せる方法が従来とは大きく異なるため、液晶材料に対しては強い耐性を要し、滴下注入法にふさわしい液晶材料が必要とされている。

【0020】滴下注入法では、シール剤の硬化に紫外線(UV)を用いるため、UVに対する耐性が強い液晶材料が必要となる。また、硬化不十分なシールと液晶材料が接触する場合もあるため、液晶材料はシールに対する汚染に強くなければならない。

【0021】ところで、垂直配向型の液晶表示装置には、誘電率異方性が負の液晶材料が使われる。一般に、誘電率異方性が負の液晶材料は、それを構成する液晶化合物に限りがあり、現在広く使われているものは大きく分けて3種類に分類される。これらの液晶化合物の中から少しでも良い液晶材料を選択して製造することにより、良品率も高くし、表示ムラ、焼き付き等を抑制して、製品としての長寿命化に資することになる。

【0022】種々の表示ムラ、不良品の原因のひとつとして、液晶パネルにおける電気特性が強く関係しており、液晶セルの電圧保持率を高く、イオン密度を小さく、残留DC電圧を小さくする必要がある。そして、液晶材料としては、純度が高く、バルク液晶の比抵抗が高いものを使う必要がある。

【0023】負の液晶を多数調べた結果、バルク比抵抗を高く保てるものと劣化してしまうものがあることが分かり、それは負の液晶化合物に依存することを見出し

た。なお、誘電率異方性が負の液晶は、その材料種類が乏しいことから、前記3種類のうちから1種類のみを使えばよい、という訳にはいかない。液晶表示装置としての電気光学特性を満たすべく、液晶物性値を持つ必要があり、前記3種を併用する必要があった。

【0024】また、液晶の耐性を高くできたとしても、液晶粘性が大きくなってしまえば液晶表示装置としての応答速度が低下してしまう。液晶の応答理論により、応答速度は液晶粘性に比例すると考えられることから、より低粘度の液晶材料を使用することが望まれていた。

【0025】以上説明したように、滴下注入法は液晶表示パネルの効率的な作製及び優れた表示特性の実現に資する技術であるものの、改善すべき諸々の問題点があり、今後の解決が待たれる現況にある。

【0026】本発明は、前記課題に鑑みてなされたものであり、以下の目的を達成する液晶表示装置及びその製造方法、並びに液晶滴下装置を提供するものである。

【0027】(1) シール剤に起因して発生しがちな保持率低下による表示ムラを抑止し、滴下注入法を用いて歩留まり良く簡便に液晶表示装置を製造し、信頼性の高い液晶表示装置を実現する。

【0028】(2) 滴下注入法による液晶の滴下量を精密に測定・制御することを可能とし、滴下部位毎で滴下量を適宜調節してセル厚を均一化させ、歩留まり良く信頼性の高い液晶の滴下注入を行なう液晶滴下装置を実現する。

【0029】(3) 滴下注入法に最も適した液晶材料を用いることにより、その液晶粘性を小さく抑え、応答速度、特に中間調の高速化を図り、表示特性の更なる向上を可能とする液晶表示装置を実現する。

【0030】

【課題を解決するための手段】本発明者らは、鋭意検討の結果、以下に示す発明の諸態様に想到した。

【0031】本発明の液晶表示装置及びその製造方法では、一対の基板の一方に設けられる画像表示領域の周辺部にシール剤を塗布して枠パターンを形成し、前記枠パターン内に液晶を滴下して前記各基板を貼り合せ、前記シール剤を硬化することにより液晶表示装置を対象とし、前記枠パターン外に前記シール剤塗布の始点又は終点の少なくとも一方が位置するように、前記シール剤を塗布することを特徴とする。これにより、枠パターン上で始点と終点は重ならなくなるため、枠パターン上でシール幅が太くなって遮光膜と重畳することが防止される。

【0032】この場合、前記始点又は前記終点の少なくとも一方を、前記基板の非実装辺側に位置するように前記シール剤の塗布を行なうことが好適である。当該点を枠パターン外に位置するように形成すると、枠パターンへ結び付け繋ぎパターンが必要となる。実装辺側では基板の切断位置が上下で異なるため、当該点が実装辺側に

位置すると切断部の基板同士が繋ぎパターンにより接着され、切断し難くなる。非実装辺側であれば基板の切断位置は上下で同一であるため、切断部の基板同士が繋ぎパターンにより接着されることはなくなり、基板は容易に切断できる。

【0033】更に、前記始点又は前記終点の少なくとも一方を前記枠パターンと前記非実装辺を横切るように結び付けることが好適である。繋ぎパターンを斜めに形成することにより、当該点と枠パターンを非実装辺を横切らない形で結びつけることも可能であるが、斜め方向へのシール塗布はデイスベンサ手段の制御上難しく、現実的ではない。当該点と枠パターンを非実装辺を横切る形で結び付ければ、繋ぎパターンを直線で形成できるため、シール塗布が容易になる。

【0034】また、前記始点と前記終点を前記基板上で一致させ、前記シール剤によるシールパターンを連続して形成することが好適である。一筆書きの要領でシールパターンを連続して形成すれば、枠パターン上から始点と終点を無くせると共に、多面取りの基板でも容易にシール塗布できる。

【0035】本発明の液晶表示装置及びその製造方法では、一対の基板の一方に設けられる画像表示領域の周辺部にシール剤を塗布して枠パターンを形成し、前記枠パターン内に液晶を滴下して前記各基板を貼り合せ、前記シール剤を硬化することにより液晶表示装置を対象とし、透明導電膜を表面にコーティングした粒子を混入してなるトランスファシールにより前記一対の基板間を導通させることを特徴とする。

【0036】透明導電膜のうち、例えばITO膜は従来導電膜として用いられていたニッケルや金に比べると抵抗は大きい、透明電極として液晶表示パネルに広く用いられているものであり、導通をとる上で問題になるものではない。紫外線はITO膜により一部吸収されて減衰するが、金属膜では最も透過率が高く、これをトランスファシールに混入させることにより紫外線はシール内部まで到達し易くなり、これによりトランスファシールの硬化が容易となる。

【0037】本発明の液晶表示装置及びその製造方法では、一対の基板の一方に設けられる画像表示領域の周辺部にシール剤を塗布して枠パターンを形成し、前記枠パターン内に液晶を滴下して前記各基板を貼り合せ、前記シール剤を硬化することにより液晶表示装置を対象とし、前記一対の基板間を導通させるため、樹脂に導電性粒子を混入してなるトランスファシール下の電極に、前記樹脂を硬化するために照射する紫外線を反射する膜を形成することを特徴とする。

【0038】これにより、トランスファシールに照射された紫外線の一部を反射膜により再利用可能となるため、トランスファシールを硬化させる光量を従来より少なく抑えることができる。

【0039】この場合、前記紫外線を反射する膜としてアルミ膜又は銀膜を用い、薄膜トランジスタ側の前記基板に形成することが好適である。アルミ膜もしくは銀膜であれば紫外線を反射し、TFT工程で広く用いられている金属膜であるため、工程を増やすこと無く反射膜を形成できる。

【0040】本発明の液晶表示装置の製造方法では、一对の基板の一方に設けられる画像表示領域の周辺部にシール剤を塗布して枠パターンを形成し、前記枠パターン内に液晶を滴下して前記各基板を貼り合せ、前記シール剤を硬化することにより液晶表示装置を対象とし、前記一对の基板間を導通させるため、樹脂に導電性粒子を混入してなるトランスファシールに、前記樹脂を硬化するため、平行光からなる紫外線を基板鉛直方向又は斜め方向からスポット照射することを特徴とする。

【0041】スポット照射は、石英ファイバー等によるライトガイドを用いると直進性の高い平行光を照射することができる。トランスファシールには紫外線の一部もしくは全部を吸収・反射する導電性粒子を混入するため、トランスファシール内に届く紫外線はこの粒子によって減衰される。また、トランスファシールは透明電極に挟まれており、これによっても紫外線は減衰される。トランスファシールに平行光からなる紫外線を基板鉛直方向もしくは斜め方向からスポット照射すれば、トランスファシールのみが減衰分の紫外線を追加照射することができる。加えて、平行光を照射できるため、光の回り込みによって液晶が劣化するのを最小限に抑えられる。

【0042】本発明の液晶表示装置の製造方法では、一对の基板の一方に設けられる画像表示領域の周辺部にシール剤を塗布して枠パターンを形成し、前記枠パターン内に液晶を滴下して前記各基板を貼り合せ、前記シール剤を硬化することにより液晶表示装置を対象とし、前記一对の基板間を導通させるため、樹脂に導電性粒子を混入してなるトランスファシールを塗布し、前記樹脂を硬化するため、紫外線照射によりこれを硬化した後、前記紫外線の照射後に、支持筐体により前記基板を平行保持した状態で前記基板を熱処理することを特徴とする。

【0043】従来の基板端で基板を支持する搬送カセットではなく、基板面の多点支持により基板を平行保持する構造の搬送カセットもしくは平行平板により基板を平行保持して熱硬化することにより、熱硬化処理中における位置ズレの発生が抑止される。

【0044】本発明の液晶表示装置の製造方法では、一对の基板の一方に設けられる画像表示領域の周辺部にシール剤を塗布して枠パターンを形成し、前記枠パターン内に液晶を滴下して前記各基板を貼り合せ、前記シール剤を硬化することにより液晶表示装置を対象とし、液晶の配向膜をその端部が前記シール剤の内周辺外側且つ外周辺内側となる領域に形成し、ほぼ300nm以上500nm未満の波長の光を照射して、前記シール剤の硬化

を行うことを特徴とする。

【0045】液晶の光分解は概ね320nm未満の短波長で発生し、また当該樹脂の硬化には300nm以上320nm未満の波長が必要であることから、液晶にはこの波長を照射せず、当該樹脂にはこの波長を照射する工夫が必要となる。しかしながら、現実には困難であり、カットフィルタをマスクに用いて液晶表示パネル毎に位置合わせしても前述の問題が発生するため好ましくない。そこで当該樹脂の反応率をさほど低下させない範囲で300nm以上320nm未満の波長を減衰し、液晶の光分解を最小限に抑える工夫をする。

【0046】300nm以上320nm未満の波長の透過率がそれぞれ異なるエッジフィルタを用いて当該樹脂に硬化光量の紫外線を照射して樹脂の反応率を測定してみた。その結果、用いる樹脂により若干の差はあるが、高圧水銀灯の313nm輝線ピークでみた場合、その波長の透過率が30%程度あれば反応率は殆ど低下しない事が分かった。これは、硬化光量は当該樹脂の反応率がほぼ飽和に達する紫外線光量であるが、当該樹脂の硬化反応は硬化光量の30%程度で急激に立ち上がり、反応率はそれ以降大きく変動しないからである。

【0047】しかし、このフィルタを用いて液晶に同量の紫外線を照射すると液晶の光分解はまだ大きく、保持率低下により表示不良が発生した。そこで、当該樹脂の硬化に影響が少ない500nm以上の長波長をカットして液晶に同量の紫外線を照射した。その結果、液晶の光分解は少なくなり、保持率低下による表示不良は発生しなくなった。これは500nm以上の長波長単独では液晶の光分解は起きないが、300nm以上320nm未満の波長と組み合わせる事により500nm以上の長波長が熱源となって、液晶の光分解が促進されてしまうからである。

【0048】配向膜端を当該樹脂の内周辺外側且つ外周辺内側となる領域に形成するのは、配向膜が当該樹脂の未硬化成分を吸着し、液晶中に拡散するのを抑える働きを持つからであり、また、配向膜端を当該樹脂の内周辺と面一に形成すると位置ずれにより配向膜端と当該樹脂との間に空隙が発生し、配向膜端を当該樹脂の外周辺外側に形成すると耐湿性の弱い配向膜を介して当該樹脂と基板が接着されるため、高温高湿下で接着強度が著しく低下するからである。加えて、配向膜は313nm輝線ピークの波長を15%程度減衰するため、液晶の光分解を緩和するフィルタとして用いることができる。これにより、照射光源に用いるフィルタの当該波長透過率を高くすることができるため、配向膜端外側の当該樹脂をより強固に硬化させることが可能となる。

【0049】従って、前記手法を組み合わせることで、当該樹脂の反応率をさほど低下させることなく、液晶の光分解を最小限に抑えられるため、保持率低下による表示不良は発生しなくなる。

【0050】この場合、少なくともカラーフィルタの形成される前記基板上的前記配向膜の端部を前記シール剤の内周辺外側且つ外周辺内側となる領域に形成し、当該基板側から前記波長の光を照射して、前記シール剤の硬化を行うことが好適である。

【0051】このカラーフィルタが画像表示領域のマスクの役割を果たす。基板上的配向膜端を当該領域に形成し、当該基板側から光を照射すれば、樹脂領域以外をマスクングする必要はなくなる。

【0052】また、少なくともカラーフィルタの形成される前記基板上的透明電極及び前記配向膜を各端部が前記シール剤の内周辺外側且つ外周辺内側となる領域に存するように形成し、当該基板側から前記波長の光を照射して、前記シール剤の硬化を行うことが好適である。

【0053】透明電極膜は、313nm輝線ピークの波長を35%程度減衰し、配向膜と組み合わせて用いることによりその波長を45%程度減衰するため、液晶の光分解を緩和するフィルタとして用いられる。これにより照射光源に用いるフィルタの該波長透過率を更に高くすることができるため、透明電極及び配向膜端外側の樹脂をより強固に硬化させることが可能となる。

【0054】更に、ほぼ300nm以上500nm未満の波長の光を照射する手段として、当該波長以外をほぼカットするフィルタを照射光源側に配置することが好適である。

【0055】前述の公知例では、液晶に有害な特定波長以下の紫外線をカットするフィルタをマスクと液晶表示パネルの間に配置している。このような配置で本発明のフィルタを配置すると長波長カットフィルタは500nm以上の長波長を吸収するため発熱し、液晶表示パネルも熱せられてしまう。液晶表示パネルが熱せられた状態で300nm以上320nm未満の波長が照射されると前述のように液晶の光分解反応が促進されてしまう。そこで長波長カットフィルタを照射光源側に配置することにより、液晶表示パネルへの熱の移動を防止する。また、短波長カットフィルタもその吸収が短波長側だけでなく長波長側にもある場合が多く、照射光源側に配置して液晶表示パネルへの熱の移動を抑止する。

【0056】更に、前記シール剤の硬化光量をI線基準でほぼ3000mJ/cm²以下とすることが好適である。

【0057】当該樹脂の硬化光量は、高圧水銀灯の照射強度が最大となる365nm輝線（I線）ピーク近傍の波長帯（350nm±30nm程度）の積算光量を基準に設定している。I線ピークの強度を100とすれば、313nm輝線ピークは高圧水銀ランプで約60、メタルハライドランプで約30となるが、高圧水銀ランプが輝線ピークのみ強度が強くなるのに対してメタルハライドランプは輝線ピーク近傍でブロードとなるため、300nm以上320nm未満の波長の積算光量では両ラン

プともにさほど大きな差はない。

【0058】液晶にほぼ300nm以上500nm未満の波長からなる光を照射し、液晶の光分解が活性化される紫外線光量を保持率低下から求めてみた。用いたカットフィルタの透過率は313nm輝線ピークで50%、365nm輝線ピークで90%である。その結果、液晶により若干の差はあるが、313nm輝線ピーク近傍の波長帯（310nm±20nm程度）の積算光量で1000mJ/cm²程度であった。しかし、これでは当該樹脂の硬化光量と比較し難いため、I線基準の紫外線光量に換算すると3000mJ/cm²程度となる。本発明では配向膜により300nm以上320nm未満の波長を15%程度減衰することができるが、大型基板に紫外線を面照射する場合の照度バラツキの保証値は通常で±15%程度あり、当該樹脂の硬化光量がI線基準で3000mJ/cm²以上ではバラツキの最大値部分がこの値を超えて液晶に紫外線が照射されるため、液晶の光分解が活性化されて保持率低下が発生する。反応を活性化するにはある量以上のエネルギーが必要であり、それを越えるだけのエネルギーを与えられれば反応は加速的に進行するが、そのエネルギー量未満であれば活性化されず、反応は差ほど進行しない。

【0059】本発明の液晶滴下装置は、所定量の液晶を吐出するディスペンサ手段と、前記ディスペンサ手段による液晶の吐出量を測定する測定手段とを備え、前記測定手段は、光学センサを有し、前記ディスペンサ手段から吐出した液晶が前記光学センサを通過した際に生じる当該光学センサの信号変動を積分し、液晶の吐出量を測定することを特徴とする。

【0060】ディスペンサ手段から吐出する液晶量は、当該ディスペンサ手段の自己制御のみでは正確性に欠けるため、前記測定手段を設け、ディスペンサ手段から吐出された液晶を光学センサの走査により当該液晶の量（体積）を測定する。この場合、光学センサの出力は吐出した液晶の液滴の幅を測定しており、連続して測定すれば吐出量の時間変化が測定され、測定結果を積分すれば吐出総量に相当する値が得られる。この値と実際の吐出量とを測定し比較して相関関係を予め求めておき、当該相関関係に基いて実際の吐出量を実時間で推定できる。これにより、所望部位に滴下する総吐出量を正確に制御することができ、大画面の液晶パネルを作製する際でも、セル厚の均一化を図ることが可能となる。

【0061】この場合、前記測定手段の具体例としては、吐出する液晶とほぼ垂直方向にレーザ光を走査し、吐出した液晶がこのレーザ光を横切ることでレーザ光の出力を変動させて前記光学センサにより検知し、液晶の吐出量を測定するものとするのが好適である。このように、照射光源としてレーザを用いることで、より迅速且つ正確に液晶の吐出量を測定することができる。

【0062】また、少なくとも2方向から液晶の吐出量

を測定したり、互いにはほぼ直交する2方向から当該吐出量を測定することで、吐出量測定の高確性を期すことができ好適である。

【0063】また、前記光学センサを、前記ディスペンサ手段の液晶吐出口から2cm以内の位置に設置することが好適である。

【0064】ディスペンサ手段のニードルの液晶吐出口に光学センサを設け、実際に滴下された液晶量を測定したところ、およそ液晶吐出口から2cm程度までは液滴が連続して滴下し、1cm程度が最も好適であることが分かった。これは、ニードル内の内側と外側の圧力差や気泡の発生により吐出距離が2cmを超える程度に長くなると、はじめ連続に吐出していた液晶が不連続となり測定精度が下がるためである。

【0065】本発明の液晶滴下装置は、所定量の液晶を吐出するディスペンサ手段と、前記ディスペンサ手段により吐出された液晶の液滴形状を認識し、当該形状から実際の液晶の吐出量を推定する測定手段とを備えたことを特徴とする。

【0066】ディスペンサ手段から吐出する液晶量は、当該ディスペンサ手段の自己制御のみでは正確性に欠けるため、前記測定手段を設け、ディスペンサ手段から吐出された液晶の液滴形状を認識し、当該形状から実際の液晶の吐出量を推定する。この場合、予め液晶の液滴形状とその量(体積)との相関関係を求めておき、当該知見に基づいて実際の吐出量を推定する。これにより、所望部位に滴下する総吐出量を正確に制御することができ、大画面の液晶パネルを作製する際でも、セル厚の均一化を図ることが可能となる。

【0067】この場合、前記測定手段の具体例としては、液晶の前記液滴形状を光学的に認識し、当該形状の画像から実際の液晶の吐出量を推定するものとする。

【0068】また、前記ディスペンサ手段の液晶吐出口の近傍に光学センサを設け、吐出した液晶が光学センサを通過した際に発生する当該光学センサの信号をトリガ信号として、液晶の液滴形状の画像から実際の液晶の吐出量を推定するようにしても好適である。

【0069】更に、前記ディスペンサ手段を、液晶をシリンジ内のピストンを移動させることにより吐出し、吐出量の制御を前記ピストンのストローク量により調節するものとし、画像処理の結果を基に前記ピストンのストローク量を自動的に変えるように構成しても好適である。

【0070】これにより、測定手段により測定されたディスペンサ手段からの吐出量の推定値がディスペンサ手段にフィードバックされ、液晶の吐出量の正確な制御が可能となる。

【0071】本発明の液晶滴下装置は、複数の細管を有し、前記各細管から所定量の液晶を吐出する吐出手段と、前記吐出手段の各細管に対応した各受け皿を有し、

前記各受け皿で受け取った液晶の液滴の重量をそれぞれ測定する測定手段とを備え、前記測定手段により重量が測定され吐出量が特定された液晶の液滴を、前記各受け皿から供給することを特徴とする。

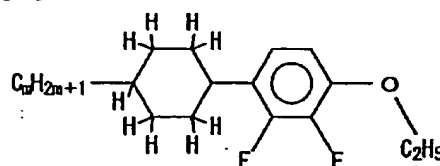
【0072】吐出手段から吐出する液晶量は、当該吐出手段の自己制御のみでは正確性に欠けるため、前記測定手段を設け、各細管から吐出された液滴を受け皿で受け、液滴の重量を測定した後に当該受け皿から液滴を供給する。この際、受け皿に残存する液晶の量を予め測定しておき、この知見に基づいて供給量を制御する。これにより、所望部位に滴下する総吐出量を正確に制御することができ、大画面の液晶パネルを作製する際でも、セル厚の均一化を図ることが可能となる。

【0073】この場合、前記測定手段の液晶と接触する部位に、液晶を弾く撥水加工を施しておくことが好適である。これにより、液晶の残存を可及的に防止し、液晶量の更なる正確な供給が可能となる。

【0074】本発明の液晶表示装置及びその製造方法では、少なくとも一方が透明である一対の基板を有し、画像表示領域の周辺部にシール剤の塗布による枠パターンが形成され、前記枠パターン内に誘電率異方性が負の液晶を滴下して前記各基板を貼り合せ、前記シール剤が硬化されてなる垂直配向型の液晶表示装置を対象とし、下記の一般式で表される液晶化合物を含み、その末端アルキル基の炭素数mが2以上である液晶材料を用いたことを特徴とする。

【0075】

【化2】



【0076】負の誘電率異方性を有する前記一般式の液晶化合物を含み、その末端アルキル基の炭素数mが偶数である液晶材料を用いると、バルク液晶の比抵抗を高く保つことが可能である。極性基を持たないニュートラル成分も含み前記一般式のm数が偶数であるものを含有した液晶は、同様の成分を含みm数が奇数であるものを含有した液晶に比して、初期の比抵抗、高温放置後の比抵抗、紫外線(UV)暴露後の比抵抗の全てにおいて、m数が偶数の液晶の方に良好な結果が得られる。

【0077】更に、前記一般式の液晶化合物のうち、m数が2, 4のものに限って使用することが望ましい。一般に、液晶化合物の末端アルキル鎖が長くなると、液晶粘性が大きくなる等、液晶表示装置にとっては好ましくない方向となる。前記一般式の液晶化合物は、混合液晶の温度範囲を低温側にも広くネマチック相を維持する作用もあり、この場合、化合物としてはm数が異なる2種

類以上を含ませることが良い。従って、液晶粘性の上昇を抑えるために、 m 数は2、4の化合物を用いることが好適である。

【0078】本発明の液晶表示装置及びその製造方法では、少なくとも一方が透明である一対の基板を有し、画像表示領域の周辺部にシール剤の塗布による枠パターンが形成され、前記枠パターン内に誘電率異方性が負の液晶を滴下して前記各基板を貼り合せ、前記シール剤が硬化されてなる垂直配向型の液晶表示装置を対象とし、前記液晶材料は、極性を有しないニュートラル液晶化合物を含み、このニュートラル液晶化合物を含む液晶は、滴下された際に真空放置下で重量比が1%以上減少する高揮発性を有し、非揮発性のニュートラル液晶化合物に比して回転粘性が15%以上低いものであることを特徴とする。

【0079】回転粘性は低粘性材を導入することにより、導入前の状態から液晶粘性を15%以上小さくすることができ、このときの液晶の揮発性は、重量比率で1%以上の減少（揮発）を示す。このように、液晶材料を低粘度化することにより、液晶表示装置の応答速度を向上させることができる。

【0080】この場合、前記液晶材料を、その透明点が70℃以上であり、その誘電率異方性 $\Delta\epsilon$ が $-4.0 \leq \Delta\epsilon < 0$ を満たし、その屈折率異方性 Δn が0.1000以上となるようにすることが好適である。これらの条件を満たすことにより、輝度（透過率）・応答速度等の表示特性や量産性を向上させることが可能となる。

【0081】更に、これらの液晶表示装置は、その液晶分子の倒れ込む方向が2方向以上となるマルチドメイン構造を有するものとするのが好適である。これにより、視野角特性の向上を図ることが可能となり、液晶モニタ等への適用に都合が良い。

【0082】

【発明の実施の形態】以下、本発明を適用した好適な諸実施形態について、図面を参照しながら詳細に説明する。

【0083】—液晶表示装置の一般的構成—

図1は、液晶表示装置の一般的な主要構成を示す概略断面図である。この液晶表示装置は、所定間隔をあけて対向する一対の透明ガラス基板1、2と、これら透明ガラス基板1、2間に挟持される液晶層3とを備えて構成されている。

【0084】一方の透明ガラス基板1上には、絶縁層4を介して複数の画素電極15が形成され、画素電極5を覆うように透明の配向膜6aが形成されており、他方の透明ガラス基板2上には、カラーフィルター7、共通電極8及び配向膜6bが順次積層されている。そして、液晶層3を挟持するように配向膜6a、6bが突き合わせられてガラス基板1、2が固定され、各基板1、2の外側に偏光子9、10が設けられる。画素電極5はアクテ

ィブマトリクスと共に形成され、図示の例ではアクティブマトリクスのデータバスライン11が示されている。なお、電極は一方の基板のみに設けられることもある（例えば、IPSモードの場合）。

【0085】ここでは、滴下注入法を用いて液晶層3を形成するに際して、構造上、製造工程上、及び当該製造に用いる液晶滴下装置について諸々の改善を施した例を以下に示す諸実施形態として開示する。

【0086】各実施形態で共通に用いられる液晶表示装置の製造方法としては、メインシールの材料として紫外線硬化樹脂又は（紫外線+熱）硬化樹脂を用い、TFT（薄膜トランジスタ）基板となるガラス基板Aと、CF（カラーフィルタ）基板となるガラス基板Bを用意し、例えばガラス基板Bの画像表示領域にディスベンサによりメインシールの枠パターンを形成し、滴下注入法により枠パターン内に液晶を滴下した後、各基板A、Bを貼り合せ、メインシールを硬化する。しかる後、貼り合わされた基板A、BからTFT基板+CF基板の状態に切り出しを行ない、諸々の後工程を経て液晶表示装置を完成させる。

【0087】（第1の実施形態）図2は、本実施形態において、滴下注入法により液晶注入工程を行なう前の枠パターンの形成されたガラス基板の様子を示す概略平面図である。本例では、メインシール21に紫外線樹脂（例えば、スリーボンド社製、製品名30Y-363）を用い、CF基板となるガラス基板22側の表示領域23の周辺部にディスベンサで繋ぎパターン及び枠パターンを形成する。重なり部31の始点31aと終点31bは、非実装側且つ枠パターン外となる位置に設け、繋ぎパターンは貼り合せ後にそれぞれが隣接するように形成する。

【0088】なお、メインシール21のシール幅は1mm、コーナ部は線幅が直線部と同等となるように半径1mmとする。枠パターンは貼り合せ後にその内周辺と遮光膜23との間隔が0.5mmとなるように形成する。

【0089】次に、液晶滴下法により、枠パターン内に必要量の液晶を滴下して真空中でガラス基板22とTFT基板となるガラス基板とを貼り合せ、大気開放により液晶を注入する。

【0090】ガラス基板22側から紫外線を一括照射した後、熱処理によりシール硬化を行い、これを所定寸法に切断して液晶表示パネルを得る。なお、基板の切断については、CF基板となるガラス基板22が切断線32に沿って、TFT基板となるガラス基板が切断線33に沿って実行される。

【0091】ここで、本例の液晶表示装置との比較のため、比較例として図23で示した液晶表示装置を作製する。

【0092】比較例1では、図23(a)に示したようにメインシール102により枠パターンを形成する。始

点と終点は枠パターン上となる位置に設け、始点と終点で枠パターンが連結される（重なり部103が形成される）ように形成する。それ以外は本例と同様にして液晶表示パネルを得る。

【0093】比較例2では、図23(b)に示したようにメインシール102に枠パターンを形成する。始点と終点は枠パターン上且つコーナー部となる位置にし、始点と終点で枠パターンが連結される（重なり部103が形成される）ように形成する。なお、コーナー部は円弧状には形成しない。それ以外は本例と同様にして液晶表示パネルを得る。

【0094】本例では、始点31aと終点31bが枠パターン外にあるため、枠パターン上に始点31aと終点31bの重なりは形成されず、枠パターン連結部のメインシール21は遮光膜23に重ならない。これに対して、比較例1, 2では、枠パターン上に始点と終点の重なり部103が形成されるため、枠パターン連結部のメインシール102は遮光膜105と重なる。比較例1, 2の枠パターン連結部のシール幅は2.6mm、メインシール102を2重に塗布した時のシール幅は2.0mmである。これは始点と終点ではディスペンサが上下方向に移動するため、直線部よりシール塗布量が多くなるためである。比較例1の枠パターンの連結部では、内周辺側に0.8mm突出し、内周辺と遮光膜105の間隙が0.5mmであることから、メインシール102は遮光膜105に0.3mm重なる。従来例2の枠パターン連結部では、突出量は0.8mmと同じであるが、内周辺と遮光膜105の間隙が1.4倍に広がるため、メインシール102と遮光膜105の重なりは小さく、0.1mmであった。内周辺と遮光膜の間隙を更に広げれば、メインシール102と遮光膜105の重なりを無くすることができるが、画像表示領域に対する外形寸法の割合が拡大するために適切ではない（広額緑化）。

【0095】また、始点と終点を枠パターン上で離して形成してもメインシールと遮光膜の重なりを無くすることができるが、枠パターン連結部のシール幅が細くなってメインシール102に必要な強度を維持出来なくなるため適切ではない。

【0096】本例及び比較例1, 2の液晶表示パネルを点灯試験に供した。その結果、本例では表示ムラは発生しなかったが、比較例1, 2では枠パターン連結部でメインシール102の硬化不良により表示ムラが発生した。

【0097】以上説明したように、第1の実施形態によれば、シール剤に起因して発生しがちな保持力低下による表示ムラを抑止し、滴下注入法を用いて歩留まり良く簡便に液晶表示装置を製造し、信頼性の高い液晶表示装置を実現することが可能となる。

【0098】—変形例—

ここで、第1の実施形態の諸変形例について説明する。

【0099】(変形例1) 変形例1では、CF基板となるガラス基板22側の画像表示領域の周辺部に、ディスペンサでメインシール41により図3に示すような2面取りのシールパターン及びメインシール42により図4に示すような4面取りのシールパターンをそれぞれ形成する。

【0100】図3の2面取りでは、始点43aと終点43bを基板22上で連結させて1つの重なり部43としてシールパターンを連続して形成し、枠パターン結合部でメインシール41が交差しないようにする。他方、図4の4面取りでは、始点44aと終点44bを基板22上で連結させて1つの重なり部44としてシールパターンを連続して形成し、枠パターン結合部でメインシール42が交差するようにする。それ以外は第1の実施形態と同様にして液晶表示パネルを得る。

【0101】図3の2面取りでは、始点43aと終点43bが枠パターン外にあり、枠パターン結合部でメインシール41が交差しないため、枠パターン連結部のメインシール41は遮光膜23に重ならない。また、図4の4面取りでは、枠パターン結合部でメインシール42が交差してシール幅は2.0mmと太くなるが、始点44aと終点44bの重なり部44よりは細く、結合部がコーナー部であることから枠パターン連結部のメインシール42は遮光膜23に重ならない。

【0102】図3の2面取り及び図4の4面取りを用いて作製された液晶表示パネルをそれぞれ点灯試験に供した。その結果、双方共に表示むらは発生しなかった。

【0103】(変形例2) 変形例2の主要工程を図5に示す。ここで(a)が基板22aの概略平面図、(b)が基板22aのトランスファシール近傍における概略断面図、(c)がトランスファシールを拡大して示す概略断面図である。

【0104】ここでは、樹脂スペーサ（例えば、積水ファインケミカル社製の商品名マイクロバルSP）の表面にITO膜を蒸着により形成し、導電性粒子45を得る。トランスファシール24には第1の実施形態で用いた紫外線硬化樹脂を用い、導電性粒子45を1wt%混入させる。導電性粒子45及び透明電極46による紫外線の減衰率を測定したところ、トランスファシール24に照射される光量はメインシール21のそれと比べて10%少ないことが分かった。

【0105】また、アルミ膜を用いてTFT基板側のトランスファシール24の形成位置に電極となる反射膜47を形成する。アルミ膜の形成はTFTの成膜工程と一括して行う。紫外線照射は、基板22側からメインシール21を紫外線硬化させる光量を一括照射し、その後、トランスファシール24にライトガイド48を用いて平行光からなる紫外線を基板鉛直方向からスポット照射した。スポット照射の光量は導電性粒子45及び透明電極46による紫外線の減衰分とほぼ同等（変形例2

A)及び当該減衰分の2/3(変形例2B)にした。それ以外は第1の実施形態と同様にして液晶表示パネルを得る。

【0106】ここで、本例の液晶表示装置との比較のため、比較例として図24で示した液晶表示装置を作製する。この比較例では、樹脂スペーサの表面にニッケルをコーティングした導電性粒子(例えば、積水ファインケミカル社製の商品名マイクロパールNI)を用い、トランスファシール106に1wt%混入させる。それ以外は第1の実施形態の比較例1と同様にして液晶表示パネルを得る。

【0107】変形例2A、2B及び比較例による液晶表示パネルをそれぞれ点灯試験に供した。その結果、変形例2A、2Bでは表示ムラは発生しなかったが、比較例では、枠パターン連結部(重なり部103)とトランスファシール106で硬化不良による表示ムラが発生した。変形例2Bでは、トランスファシール24に照射される光量は不足しているが、反射膜47により紫外線が反射されて不足分が補われるため、硬化不良による表示ムラは発生しない。

【0108】なお、液晶が劣化する光量とシール剤が紫外線硬化する光量に多少の余裕があれば、トランスファシール24にスポット照射しなくても、トランスファシール24下に反射膜を形成し、一括照射の光量を若干増やしてトランスファシール24を硬化させることも可能である。

【0109】(変形例3)変形例3では、図6に示すように、シール材の硬化により基板22a、22bを貼り合わせて基板51とした後、基板51面を多点支持する構造の搬送アーム出入用スペーサ53の設けられた基板搬送カセット52を用いて紫外線照射後の熱処理を行う。

【0110】これに対して、比較例として、図25に示したような従来の基板端で基板110を支持する構造の基板搬送カセット108を用いて、紫外線照射後の熱処理を行う。

【0111】それ以外は変形例3及び比較例ともに第1の実施形態と同様にして液晶表示パネルを得る。

【0112】変形例3及び比較例による液晶表示パネルをそれぞれ点灯試験に供した。その結果、変形例3では熱処理中に位置ズレは発生しなかったが、比較例では位置ズレが発生した。変形例3では基板51面を多点支持するため、基板51を平行保持することができるが、比較例では基板端のみで支持するため基板108の中央で撓みが大きくなり、熱硬化中に位置ズレが発生する。

【0113】(第2の実施形態)図7は、本実施形態において、滴下注入法により液晶注入工程を行なった後、紫外線照射する際の様子を示す概略斜視図、図8は図7における円C内を拡大してガラス基板の様子を示す概略断面図である。

【0114】本例では、メインシールに紫外線硬化型樹脂(商品名30Y-363/スリーボンド社製/硬化光量はI線基準で2500mJ/cm²)を用い、滴下注入法により液晶注入した後、CF基板となるガラス基板61とTF基板となるガラス基板62を貼り合わせ、切り出しを行なって液晶表示パネルを作製する。本例は、ガラス基板61、62の貼り合せの際に行なう紫外線照射工程を改善するものである。

【0115】ガラス基板61上の配向膜63端は当該樹脂の内周辺外側且つ外周辺内側となる領域に形成した。

【0116】また比較のため、図9に示すように、従来例としてCF基板となるガラス基板61上の配向膜63端を当該樹脂の内周辺内側に形成し、遮光マスク64を設けた液晶表示パネルも作製する。

【0117】紫外線照射は光源に高圧水銀灯を用い、図7に示すように、300nm未満の短波長をほぼ透過しないカットフィルタ64と500nm以上の長波長をほぼ透過しないカットフィルタ65を照射光源側に配置して行う。

【0118】図10に示すように、両フィルタを組合せた場合の透過率は313nm輝線ピークで50%、365nm輝線ピークで90%である。紫外線光量は、I線基準で2700mJ/cm²としたが、照射エリアのバラツキを調べたところ、バラツキの最小値部分で2300mJ/cm²、最大値部分で3100mJ/cm²であった。

【0119】ガラス基板及び配向膜を付加したガラス基板それぞれの透過率を測定したところ、313nm輝線ピークでガラス基板(商品名NA35/NHテクノグラス社製/0.7mm厚)が84%、配向膜(商品名JALS-684/JSR社製/膜厚80nm)が71%であり、配向膜により該波長が15%程度減衰されることが分かった。

【0120】長・短波長のカットフィルタ64、65を用いて液晶(商品名MJ961213/メルク社製)に紫外線を照射し、液晶の光分解が活性化される紫外線光量のしきい値を保持率低下から求めた。その結果、図11に示すように、ガラス基板越しに紫外線を照射した場合に313nm輝線ピーク近傍の波長帯(310±20nm)の積算光量で1000mJ/cm²程度、I線基準で3000mJ/cm²程度で保持率低下が大きくなり、これ以下では保持率低下が小さかった。また、同様に短波長のカットフィルタ64のみを用いて液晶の光分解が活性化される紫外線光量のしきい値を保持率低下から求めたところ、その値はI線基準で1000~1500mJ/cm²程度であり、長・短波長のカットフィルタの半分以下になることが分かった。これは500nm以上の長波長が照射されることにより液晶が熱せられ、300nm以上320nm未満の波長による液晶の光分解反応が促進されるからである。従って、照射エリアの

どの部分においても配向膜を透過する紫外線光量はこの値を越えてしまうため、液晶の光分解は活性化されることが分かった。

【0121】本例では、長・短波長のカットフィルタ64, 65を適用してメインシールの硬化を行う。他方、従来例では短波長のカットフィルタのみ適用(従来例1)と長・短波長のカットフィルタを適用(従来例2)し、当該樹脂以外を遮光マスクでマスキングをしてメインシールの硬化を行う。このようにして作製した液晶表示パネルを点灯表示検査に供したところ、従来例1ではメインシール近傍の全周において保持率低下による表示ムラが、従来例2では照射エリアの最大値部分に対応したメインシール近傍において保持率低下による表示ムラが発生した。これは紫外線照射による液晶の光分解が原因と考えられる。

【0122】また従来例1, 2では、一部のコーナ部で保持率低下が発生した。コーナ部はシール塗布の際にシール幅が太くならないようにR(円弧)を付けているが、これにより表示領域と当該樹脂の距離は周辺部より近くなっている。従来例では配向膜を当該樹脂の内周辺内側に設けているため、当該樹脂に僅かでも未硬化成分が残っているとそれが熱処理で液晶中に拡散し、表示領域ぎりぎりまで達してしまう。その結果、一部のコーナ部で保持率低下が発生したと考えられる。

【0123】他方、本例では、従来例1, 2で発生した保持率低下による表示ムラは発生しなかった。これはフィルタおよび配向膜により液晶の光分解を抑え、また配向膜により当該樹脂の未硬化成分の溶出を抑えたからである。

【0124】以上説明したように、第2の実施形態によれば、シール剤に起因して発生しがちな保持率低下による表示ムラを抑止し、滴下注入法を用いて歩留まり良く簡便に液晶表示装置を製造し、信頼性の高い液晶表示装置を実現することが可能となる。

【0125】-変形例-

ここで、第2の実施形態の変形例について説明する。

【0126】この変形例では、ガラス基板61上の透明電極端及び配向膜端を当該樹脂の内周辺外側且つ外周辺内側となる領域に形成し、第2の実施形態と同様の手法により液晶表示パネルを作製する。紫外線の照射条件は紫外線光量をI線基準で $3200\text{mJ}/\text{cm}^2$ とした以外は第2の実施形態と同様とする。照射エリアのバラツキを調べたところ、バラツキの最小値部分で $2700\text{mJ}/\text{cm}^2$ 、最大値部分で $3700\text{mJ}/\text{cm}^2$ であった。

【0127】透明電極及び配向膜を付加したガラス基板の透過率を測定したところ、 313nm 輝線ピークにおいてガラス基板が8.4%、透明電極(ITO/膜厚1300Å)および配向膜が4.6%であり、透明電極及び配向膜により当該波長が4.5%程度減衰されることが分か

った。

【0128】従って、照射エリアの最大値部分においても透明電極及び配向膜を透過する紫外線光量は透明電極および配向膜により減衰されるため上記のしきい値を越えず、液晶の光分解は活性化されることが分かった。

【0129】このようにして作製した液晶表示パネルを点灯表示検査に供したところ、従来例で発生した保持率低下による表示ムラは発生しなかった。また、透明電極及び配向膜端外側の当該樹脂に照射する紫外線光量を増やしたことにより、バラツキの最低値部分でも硬化光量以上照射されるため、第2の実施形態に比べてこの変形例では接着強度が10%改善した。

【0130】-比較例1, 2-

第2の実施形態と同様の手法により液晶表示パネルを作製する。紫外線の照射条件は第2の実施形態と同様とするが、図12に示すように、紫外線の照射光源は高圧水銀ランプを用い、 320nm 未満の短波長をほぼ透過しないカットフィルタ65をガラス基板61側に配置する。

【0131】当該短波長のカットフィルタ65を用いて液晶の光分解が活性化される紫外線光量のしきい値を保持率低下から求めたところ、I線基準で $3000\text{mJ}/\text{cm}^2$ 照射しても液晶の光分解は活性化されることが分かった。従って、当該樹脂内周辺外側且つ外周辺内側となる領域に本例の透明電極膜や配向膜のような 300nm 以上 320nm 未満の波長を減衰するフィルターが無くても液晶の光分解は活性化されることが分かった。

【0132】このようにして作製した液晶表示パネル(比較例1)を点灯表示検査に供したところ、メインシール近傍の全局において保持率低下による表示ムラが発生した。このパネルを分解してメインシール近傍の液晶をガスクロマトグラフィーで分析したところ、メインシール由来の樹脂成分が検出された。

【0133】また、公知例のように 320nm 以上の長波長側に吸収帯を持つ光開始剤を用いて紫外線硬化樹脂を作製し、これをメインシールにして同様の比較を行った。このようにして作成した液晶表示パネル(比較例2)を点灯表示検査に供したところ、メインシール近傍の一部で保持率低下による表示ムラが発生した。このパネルを分解してメインシール近傍の液晶をガスクロマトグラフィーで分析したところ、比較例1より程度は小さいがメインシール由来の樹脂成分が検出された。

【0134】これは 320nm 以上の長波長側で当該樹脂の硬化を行うと、 300nm 以上 320nm 未満の波長を用いた場合と比べてエネルギー量が足りない分、当該樹脂の反応率が低下するためであり、光開始剤の吸収帯を 320nm 以上の長波長側にずらしてもエネルギーの吸収効率が改善するだけで、当該樹脂の反応率は同程度にならないことを示している。

【0135】（第3の実施形態）図13は、本実施形態の液晶滴下装置の概略構成図である。この液晶滴下装置は、所定量の液晶を吐出するディスペンサ71と、ディスペンサによる液晶の吐出量を測定する測定手段72とを有して構成される。

【0136】ディスペンサ71は、ニードル状の吐出部から所定量の液晶を吐出し、ガラス基板に形成された枠パターン内に滴下するものである。

【0137】測定手段72は、照射光源であるレーザ装置73と、このレーザ装置73から照射されたレーザ光を感知する光学センサ74と、この光学センサ74の出力を時間に関して記録するデータロガー75と、このデータロガー75による記録結果を解析し表示するコンピュータ76とを有して構成されている。

【0138】この液晶滴下装置では、ディスペンサ71から吐出した液晶に対してレーザ装置73からレーザ光を照射し、滴下する液晶を横切ったレーザ光を光学センサ74で感知した結果をデータロガー75により記録する。このとき、データロガー75では、例えば図14に示すような時間に依存した出力変動を記録する。この出力をコンピュータ76で時間積分することにより、液晶の吐出量を測定する。コンピュータ76では、予め作成しておいた光学センサ74の出力と液晶の重量との相関関係に基づき、当該重量を推定する。

【0139】なお、図示の例では1つの光学センサのみを示したが、2つの光学センサを設け、互いにほぼ直交する2方向から液晶の吐出量を測定するようにしたり、更に光学センサを設けて多角的に測定するようにしても好適である。

【0140】更に、ディスペンサ71を、液晶をシリンジ内のピストンを移動させることにより吐出し、吐出量の制御をピストンのストローク量により調節するものであり、画像処理の結果を基にピストンのストローク量を自動的に変えるように構成しても好適である。

【0141】ディスペンサ71と光学センサ74との位置関係としては、図15に示すように、およそ液晶吐出口から2cm程度までは液滴が連続して滴下することから、1cm程度が最も好適であることが分かった。これは、ニードル内の内側と外側の圧力差や気泡の発生により吐出距離が2cmを超える程度に長くなると、はじめ連続に吐出していた液晶が不連続となり測定精度が下がるためである。

【0142】実際にこの液晶滴下装置を用いて吐出量を測定した。このとき、走査の回数は1秒間に100、000回とし、滴下する液晶は総量250mgで、48個所に滴下するので1回あたりの滴下量は5.21mgとなる。この量を吐出するようにディスペンサ71を設定した。

【0143】滴下後、48回の光学センサ74の出力から滴下総量を推定すると、245mgであった。そこ

で、マイクロシリンジを用いて5mg追加した。このようにして作製した液晶表示パネルのセル厚のバラツキを測定したところ、約1%以内の変動に収まっていた。本例では、吐出した液晶を走査する回数を非常に多くとることができるので、短時間に吐出を繰り返す機能のディスペンサでも十分に対応できる。

【0144】以上説明したように、第3の実施形態の液晶滴下装置によれば、滴下注入法による液晶の滴下量を精密に測定・制御することを可能とし、滴下部位毎で滴下量を適宜調節してセル厚を均一化させ、歩留まり良く信頼性の高い液晶の滴下注入を行なうことが可能となる。

【0145】-変形例-

ここで、第3の実施形態の諸変形例について説明する。

【0146】（変形例1）変形例1では、図16（a）に示すように、測定手段77が、ディスペンサ71からガラス基板の枠パターン内に滴下した液晶の液滴形状から吐出量を測定するように構成されている。

【0147】測定手段77は、滴下した液晶を撮像するCCD78と、このCCD78の出力から、図16（b）に示すように、液晶79の斜線部位の面積を算出し、予め作成しておいた当該面積と液晶の重量（体積）との相関関係に基づき、当該重量を推定するコンピュータ76とを有して構成されている。

【0148】なお、図示の例では1つのCCDのみを示したが、測定精度の更なる向上を図るには、複数のCCDを設け、異なる方向から液晶形状を捉えるように構成すれば良い。

【0149】（変形例2）変形例2では、図17（a）に示すように、測定手段81が、ディスペンサ71から吐出した液晶の空中における液滴形状から吐出量を測定するように構成されている。

【0150】測定手段81は、照射光源であるレーザ装置73と、このレーザ装置73から照射されたレーザ光を感知する光学センサ74と、この光学センサ74がレーザ光により液晶の通過を認識するタイミングで、滴下した液晶を空中で撮像するCCD78と、このCCD78の出力から、図17（b）に示すように、液晶79の斜線部位の面積を算出し、予め作成しておいた当該面積と液晶の重量（体積）との相関関係に基づき、当該重量を推定するコンピュータ76とを有して構成されている。

【0151】この場合、CCD78により空中で液晶形状を確実に捉えることができるので、ガラス基板の表面形状の影響を受けることなく高精度の測定が可能となる。また、図示の例では1つのCCDのみを示したが、測定精度の更なる向上を図るには、複数のCCDを設け、異なる方向から液晶形状を捉えるように構成しても好適である。

【0152】（変形例3）変形例3の液晶滴下装置は、図18（a）に示すように、複数の細いガラス管82を

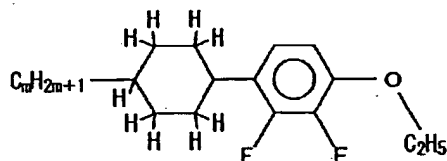
有し、各細管82から所定量の液晶を吐出する吐出手段である計量滴下治具83と、この計量滴下治具83の各細管82に対応した各受け皿84を有し、これら受け皿84で受け取った液晶の液滴の重量をそれぞれ測定する測定手段85とを備えて構成されており、測定手段85により重量が測定され吐出量が特定された液晶の液滴を、各受け皿84を回動させてガラス基板の枠パターン内へ滴下供給するものである。

【0153】各細管82は、図18(b)に示すように、液晶の接する内面に撥水性の高いテフロン（登録商標）コートが施されており、不活性ガスの押圧により液晶が押し出されて吐出する構造とされている。ガラス基板に液晶を滴下する際に、各細管82の中に液晶が残存することが多く、不活性ガスを利用して吐出を助長することが好ましく、各細管82の内面にテフロンコートを行うことにより更に効果的な吐出が可能となる。

【0154】（第4の実施形態）本実施形態では、液晶滴下法に適用して好適な液晶材料について開示する。本例の液晶材料は、下記的一般式で表される液晶化合物を含み、その末端アルキル基の炭素数 m が2以上の偶数とされたものである。

【0155】

【化3】



【0156】負の誘電率異方性を有する前記一般式の液晶化合物を含み、その末端アルキル基の炭素数 m が偶数個である液晶材料を用いると、バルク液晶の比抵抗を高く保つことが可能となる。

【0157】本例では、極性を持たないニュートラル成分を共通母体とし、その中に前記一般式の m 数が奇数であるものを含有した液晶 a と、前記一般式の m 数が偶数であるものを含有した液晶 a' とを用意し、2つの液晶材料について、以下に示す条件によりバルク液晶の比抵抗値を比較した。

【0158】初期の比抵抗、高温放置後の比抵抗、紫外線（UV）暴露後の比抵抗の全てにおいて、 a' （ m ：偶数）を用いた方が良好な結果が得られた。特に、UV暴露後については、その比抵抗値が1桁ほど高く保てることから、滴下注入プロセスにおけるUVシール硬化時において、非常に有利なものとなる。これらの関係を図19に示す。ここで、液晶 a として液晶A（ $n=1, 3$ ）を、液晶 a' として液晶B、液晶Cをそれぞれ用いた。

【0159】更に、前記一般式の液晶化合物のうち、 m 数が2、4のものに限って使用することが望ましい。一

般に、液晶化合物の末端が長くなると、液晶粘性が大きくなり、応答速度が低下することから、液晶表示装置にとっては好ましくない方向になる。前記一般式の液晶化合物は、混合液晶の温度範囲を低温側にも広くネマチック相を維持する作用もあり、その場合、化合物としては前記 m 数を2以上とすることが良い。従って、液晶粘性の上昇を抑えるために、前記 m 数は2、4の化合物を用いることが望ましい。

【0160】液晶材料を低粘度化し、液晶表示装置の応答速度を向上させることも必要である。滴下注入法では、貼り合せる際に真空放置状態が（排気時間を含めて）極めて短い。従来、数時間前後を要していた排気時間を数分に短縮化できる。そのため、従来は真空中において液晶が揮発することから、その揮発性を抑えた液晶化合物により液晶を調整するが必要であったが、滴下注入法では揮発性を有する材料でも量産用に使いこなせるようになった。

【0161】また、液晶粘度を下げる低粘性材を導入すると、液晶粘性を導入前のものに対して15%以上小さくすることができる（図21：液晶E→液晶D）。その際の液晶の揮発性は、重量比率で1%以上の減少（揮発）を示すことが分かった。

【0162】T-V特性を測定したところ、低粘性材の導入前と導入後とは有意差は見られない。一方、応答特性に関しては、中間調を含めて高速化させることができ、効果があることを確認した。

【0163】また、液晶表示装置の仕様との関係から、液晶材料の透明点は70℃以上とし、誘電率異方性 $\Delta\epsilon$ を $-4.0 \leq \Delta\epsilon < 0$ とし、屈折率異方性 Δn が0.1000以上である液晶材料を用いると、輝度（透過率）・応答速度などの表示特性や、量産性が向上する意味で良い。

【0164】更に、この液晶表示装置では、液晶分子の倒れこむ方向が2以上であるマルチドメイン構造とすると、視野角特性が優れて液晶モニタなどに都合が良い。

【0165】-実験例-

以下、第4の実施形態による液晶表示装置を作製し、諸々の表示特性を調べた実験例について説明する。

【0166】（実験例1）ITO電極を有する基板を用いて、配向膜として商品名JALS-684（JSR社製）をスピナーにより形成し、所定のスペーサ（セル厚：4.0 μ m）を散布し、熱硬化シール材を用いて貼合せ、空セルを作製した。

【0167】これらの空セルに対して、前記 m 数=1、3とした液晶Aと、前記 m 数=2、4とした液晶B、Cとを、各々の空セルに注入し、封止して偏光板をクロスニコルで貼合せて、VAセルを作製した。

【0168】図20に示すように、各セルについて、電圧保持率、イオン密度、及び残留DC電圧をそれぞれ測定し、その電気特性の違いを調べた。液晶A、液晶B、

液晶Cは、以下の表1に示す物性値を有するものである。また、(a)、(b)が電圧保持率、(c)がイオン密度、(d)が残留DC電圧を示す。実験の結果、液晶A (m数=1, 3)よりも、液晶B, C (m数=2,

4)の方が電気特性が改善され、積成分による依存性が確認された。

【0169】

【表1】

	液晶A	液晶B	液晶C	液晶D	液晶E
NI点	71°C	72°C	73°C	72°C	70°C
Δn	0.0822	0.0826	0.0810	0.1014	0.1007
$\Delta \epsilon$	-3.8	-3.6	-3.6	-3.5	-3.5
K_{11}	13.6	12.8	13.7	11.8	10.8
K_{33}	14.7	13.2	13.9	13.6	12.5
γ_1	135	139	142	190	157

【0170】(実験例2)前記液晶A, B, Cの比抵抗を測定した。バルク液晶の初期値、UV暴露後(100 mW/cm², 60秒)、加熱後(120°C, 60分)、UV硬化性樹脂を滴下後(汚染依存性)、の4つの条件に対して調べた。液晶B, C (m数=2, 4)は、全ての条件において、液晶A (m数=1, 3)よりも上回る結果が得られ、特にUV暴露後のデータは、その比抵抗値が1桁高い、といった大きな改善効果があることを確認できた。

【0171】(実験例3)低粘性材料を導入する前の液晶Dと、導入した後の液晶Eとの違いについて調べた。導入した液晶Dは、従来の真空ディップ注入を用いても問題ない液晶である。一方、液晶Eについては、低粘性材料を導入したことから、真空放置に対する揮発性がある。

【0172】実験の結果、図21に示すように、1時間の放置で、液晶Eは1%強の重量変化(減少)を示し、液晶Dよりも十分に揮発性が高いことを確認した。

【0173】液晶D, Eを用いて、スペーサを変更(セル厚3.5 μ m)する以外は、第3の実施形態と同じ手順によりVAセルを作製した。T-V特性は同等である。図22に示すように、応答速度を調べた結果、全ての印加電圧に対して、低粘性材を導入した液晶Eは導入無しの液晶Dより高速化され、特に低階調側に相当する中間調領域において、その高速化の効果が大きいことが確認できた。

【0174】以上説明したように、第4の実施形態によれば、滴下注入法に最も適した液晶材料を提供することが可能となり、これにより、その液晶粘性を小さく抑え、応答速度、特に中間調の高速化を図り、表示特性の更なる向上を可能とする液晶表示装置を実現する。

【0175】以下、本発明の諸態様を付記としてまとめて記載する。

【0176】(付記1) 一对の基板の一方に設けられる画像表示領域の周辺部にシール剤を塗布して枠パター

ンを形成し、前記枠パターン内に液晶を滴下して前記各基板を貼り合せ、前記シール剤を硬化することにより液晶表示装置を製造する方法であって、前記枠パターン外に前記シール剤塗布の始点又は終点の少なくとも一方が位置するように、前記シール剤を塗布することを特徴とする液晶表示装置の製造方法。

【0177】(付記2) 前記始点又は前記終点の少なくとも一方を、前記基板の非実装辺側に位置するように前記シール剤の塗布を行なうことを特徴とする付記1に記載の液晶表示装置の製造方法。

【0178】(付記3) 前記始点又は前記終点の少なくとも一方を前記枠パターンと前記非実装辺を横切るように結び付けることを特徴とする付記2に記載の液晶表示装置の製造方法。

【0179】(付記4) 前記始点と前記終点を前記基板上で一致させ、前記シール剤によるシールパターンを連続して形成することを特徴とする付記1に記載の液晶表示装置の製造方法。

【0180】(付記5) 一对の基板の一方に設けられる画像表示領域の周辺部にシール剤を塗布して枠パターンを形成し、前記枠パターン内に液晶を滴下して前記各基板を貼り合せ、前記シール剤を硬化することにより液晶表示装置を製造する方法であって、前記一对の基板間を導通させるため、樹脂に導電性粒子を混入してなるトランスファシールに、前記樹脂を硬化するため、平行光からなる紫外線を基板鉛直方向又は斜め方向からスポット照射することを特徴とする液晶表示装置の製造方法。

【0181】(付記6) 一对の基板の一方に設けられる画像表示領域の周辺部にシール剤を塗布して枠パターンを形成し、前記枠パターン内に液晶を滴下して前記各基板を貼り合せ、前記シール剤を硬化することにより液晶表示装置を製造する方法であって、前記一对の基板間を導通させるため、樹脂に導電性粒子を混入してなるトランスファシールを塗布し、前記樹脂を硬化して前記基板同士を貼り合わせるため、紫外線照射によりこれを硬

化した後、前記紫外線の照射後に、支持筐体により前記基板を平行保持した状態で前記基板を熱処理することを特徴とする液晶表示装置の製造方法。

【0182】(付記7) 一对の基板の一方に設けられた画像表示領域の周辺部にシール剤の塗布による枠パターンが形成され、前記枠パターン内に液晶を滴下して前記各基板を貼り合せ、前記シール剤が硬化されてなる液晶表示装置であって、透明導電膜を表面にコーティングした粒子を混入してなるトランスファシールにより前記一对の基板間が導通していることを特徴とする液晶表示装置。

【0183】(付記8) 一对の基板の一方に設けられた画像表示領域の周辺部にシール剤の塗布による枠パターンが形成され、前記枠パターン内に液晶を滴下して前記各基板を貼り合せ、前記シール剤が硬化されてなる液晶表示装置であって、樹脂に導電性粒子を混入してなり、前記一对の基板間を導通させるトランスファシール下の電極として、前記樹脂を硬化するために照射する紫外線を反射する膜が形成されていることを特徴とする液晶表示装置。

【0184】(付記9) 紫外線を反射する膜としてアルミ膜又は銀膜を用い、薄膜トランジスタ側の前記基板に形成することを特徴とする付記8に記載の液晶表示装置の製造方法。

【0185】(付記10) 一对の基板の一方に設けられる画像表示領域の周辺部にシール剤を塗布して枠パターンを形成し、前記枠パターン内に液晶を滴下して前記各基板を貼り合せ、前記シール剤を硬化することにより液晶表示装置を製造する方法であって、液晶の配向膜をその端部が前記シール剤の内周辺外側且つ外周辺内側となる領域に形成し、ほぼ300nm以上500nm未満の波長の光を照射して、前記シール剤の硬化を行うことを特徴とする液晶表示装置の製造方法。

【0186】(付記11) 少なくともカラーフィルタの形成される前記基板上的前記配向膜の端部を前記シール剤の内周辺外側且つ外周辺内側となる領域に形成し、当該基板側から前記波長の光を照射して、前記シール剤の硬化を行うことを特徴とする付記10に記載の液晶表示装置の製造方法。

【0187】(付記12) ほぼ300nm以上500nm未満の波長の光を照射する手段として、当該波長以外をほぼカットするフィルタを照射光源側に配置することを特徴とする付記10又は11に記載の液晶表示装置の製造方法。

【0188】(付記13) 前記シール剤の硬化光量をI線基準でほぼ3000mJ/cm²以下とすることを特徴とする付記10～12のいずれか1項に記載の液晶表示装置の製造方法。

【0189】(付記14) 所定量の液晶を吐出するディスペンサ手段と、前記ディスペンサ手段による液晶の

吐出量を測定する測定手段とを備え、前記測定手段は、光学センサを有し、前記ディスペンサ手段から吐出した液晶が前記光学センサを通過した際に生じる当該光学センサの信号変動を積分し、液晶の吐出量を測定することを特徴とする液晶滴下装置。

【0190】(付記15) 前記測定手段は、吐出する液晶とほぼ垂直方向にレーザ光を走査し、吐出した液晶がこのレーザ光を横切ることによってレーザ光の出力を変動させて前記光学センサにより検知し、液晶の吐出量を測定することを特徴とする付記14に記載の液晶滴下装置。

【0191】(付記16) 前記測定手段は、少なくとも2方向から液晶の吐出量を測定することを特徴とする付記14又は15に記載の液晶滴下装置。

【0192】(付記17) 前記測定手段は、互いにほぼ直交する2方向から液晶の吐出量を測定することを特徴とする付記16に記載の液晶滴下装置。

【0193】(付記18) 前記光学センサは、前記ディスペンサ手段の液晶吐出口から2cm以内の位置に設置されることを特徴とする付記14～17のいずれか1項に記載の液晶滴下装置。

【0194】(付記19) 所定量の液晶を吐出するディスペンサ手段と、前記ディスペンサ手段により吐出された液晶の液滴形状を認識し、これに基づいて実際の液晶の吐出量を推定する液晶測定手段とを備えたことを特徴とする液晶滴下装置。

【0195】(付記20) 前記測定手段は、液晶の前記液滴形状を光学的に認識し、当該形状の画像から実際の液晶の吐出量を推定することを特徴とする付記19に記載の液晶滴下装置。

【0196】(付記21) 前記ディスペンサ手段の液晶吐出口の近傍に光学センサを設け、吐出した液晶が光学センサを通過した際に発生する当該光学センサの信号をトリガ信号として、液晶の液滴形状の画像から実際の液晶の吐出量を推定することを特徴とする付記20に記載の液晶滴下装置。

【0197】(付記22) 前記ディスペンサ手段は、液晶をシリンジ内のピストンを移動させることにより吐出し、吐出量の制御を前記ピストンのストローク量により調節するものであり、画像処理の結果を基に前記ピストンのストローク量を自動的に変えることを特徴とする付記19～21のいずれか1項に記載の液晶滴下装置。

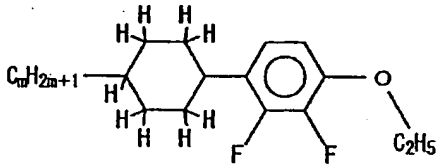
【0198】(付記23) 複数の細管を有し、前記各細管から所定量の液晶を吐出する吐出手段と、前記吐出手段の各細管に対応した各受け皿を有し、前記各受け皿で受け取った液晶の液滴の重量をそれぞれ測定する測定手段とを備え、前記測定手段により重量が測定され吐出量が特定された液晶の液滴を、前記各受け皿から供給することを特徴とする液晶滴下装置。

【0199】(付記24) 前記測定手段の液晶と接触する部位に、液晶を弾く撥水加工が施されていることを

特徴とする付記23に記載の液晶滴下装置。

【0200】(付記25) 少なくとも一方が透明である一対の基板を有し、画像表示領域の周辺部にシール剤の塗布による枠パターンが形成され、前記枠パターン内に誘電率異方性が負の液晶を滴下して前記各基板を貼り合せ、前記シール剤が硬化されてなる垂直配向型の液晶表示装置であって、下記的一般式で表される液晶化合物を含み、その末端アルキル基の炭素数 m が2以上の偶数である液晶材料を用いたことを特徴とする液晶表示装置。

【化4】



【0201】(付記26) 前記液晶化合物は、その末端アルキル基の炭素数 m が2又は4であることを特徴とする付記25に記載の液晶表示装置。

【0202】(付記27) 少なくとも一方が透明である一対の基板を有し、画像表示領域の周辺部にシール剤の塗布による枠パターンが形成され、前記枠パターン内に誘電率異方性が負の液晶を滴下して前記各基板を貼り合せ、前記シール剤が硬化されてなる垂直配向型の液晶表示装置であって、前記液晶材料は極性を有しないニュートラル液晶化合物を含み、このニュートラル液晶化合物を含む液晶は、滴下された際に真空放置下で重量比が1%以上減少する高揮発性を有し、非揮発性のニュートラル液晶化合物に比して回転粘性が15%以上低いものであることを特徴とする液晶表示装置。

【0203】(付記28) 前記液晶材料は、その透明点が70℃以上であり、その誘電率異方性 $\Delta\epsilon$ が $-4.0 \leq \Delta\epsilon < 0$ を満たし、その屈折率異方性 Δn が0.1000以上であることを特徴とする付記27に記載の液晶表示装置。

【0204】

【発明の効果】本発明によれば、シール剤に起因して発生しがちな保持率低下による表示ムラを抑止し、滴下注入法を用いて歩留まり良く簡便に液晶表示装置を製造し、信頼性の高い液晶表示装置を実現することが可能となる。

【0205】また、滴下注入法による液晶の滴下量を精密に測定・制御することを可能とし、滴下部位毎で滴下量を適宜調節してセル厚を均一化させ、歩留まり良く信頼性の高い液晶の滴下注入を行なう液晶滴下装置を実現することが可能となる。

【0206】更に、滴下注入法に最も適した液晶材料を用いることにより、その液晶粘性を小さく抑え、応答速度、特に中間調の高速化を図り、表示特性の更なる向上

を可能とする液晶表示装置を実現することができる。

【図面の簡単な説明】

【図1】液晶表示装置の一般的な主要構成を示す概略断面図である。

【図2】第1の実施形態において、滴下注入法により液晶注入工程を行なう前の枠パターンの形成されたガラス基板の様子を示す概略平面図である。

【図3】第1の実施形態の変形例1の主要構成(2面取り)を示す概略平面図である。

【図4】第1の実施形態の変形例1の主要構成(4面取り)を示す概略平面図である。

【図5】第1の実施形態の変形例2の主要工程を示す概略図である。

【図6】第1の実施形態の変形例3の基板搬送カセットを示す概略斜視図である。

【図7】第2の実施形態において、滴下注入法により液晶注入工程を行なった後、紫外線照射する際の様子を示す概略斜視図である。

【図8】図7における円C内を拡大してガラス基板の様子を示す概略断面図である。

【図9】第2の実施形態の比較例を示す概略断面図である。

【図10】透過率の波長依存性を示す特性図である。

【図11】液晶の光分解反応を示す特性図である。

【図12】第2の実施形態の比較例1, 2を示す概略断面図である。

【図13】第3の実施形態の液晶滴下装置の概略構成図である。

【図14】光学センサの時間に依存した出力変動を示す特性図である。

【図15】ディスペンサと光学センサとの位置関係を示す概略構成図である。

【図16】第3の実施形態の液晶滴下装置の変形例1を示す概略構成図である。

【図17】第3の実施形態の液晶滴下装置の変形例2を示す概略構成図である。

【図18】第3の実施形態の液晶滴下装置の変形例3を示す概略構成図である。

【図19】第4の実施形態において、液晶材料の初期の比抵抗、高温放置後の比抵抗、紫外線(UV)暴露後の比抵抗を示す特性図である。

【図20】実験例1において、各セルの電圧保持率、イオン密度、及び残留DC電圧をそれぞれ測定した結果を示す特性図である。

【図21】実験例3において、低粘性材料を導入する前の液晶と、導入した後の液晶との揮発性の違いについて調べた結果を示す特性図である。

【図22】実験例3において、低粘性材料を導入する前の液晶と、導入した後の液晶との高速化の違いについて調べた結果を示す特性図である。

【図23】従来におけるシール剤に関する問題を説明するための概略図である。

【図24】従来におけるシール剤に関する問題を説明するための概略図である。

【図25】従来におけるシール剤に関する問題を説明するための概略図である。

【図26】従来におけるシール剤に関する問題を説明するための概略図である。

【図27】従来におけるシール剤に関する問題を説明するための概略図である。

【図28】従来におけるシール剤に関する問題を説明するための特性図である。

【符号の説明】

1, 2, 22 ガラス基板

21, 41, 42 メインシール

23 遮光膜

24 トランスファシール

31, 44 重なり部

31 a 始点

31 b 終点

45 導電性粒子

46 透明電極

47 反射膜

52 基板搬送用カセット

64 300nm未満の短波長カットフィルタ

65 500nm以下の長波長カットフィルタ

71 ディスペンサ

72, 77, 85 測定手段

73 レーザ装置

74 光学センサ

75 データロガー

76 コンピュータ

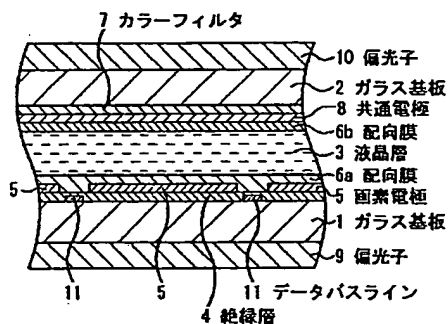
78 CCD

82 細いガラス管

83 計量滴下治具

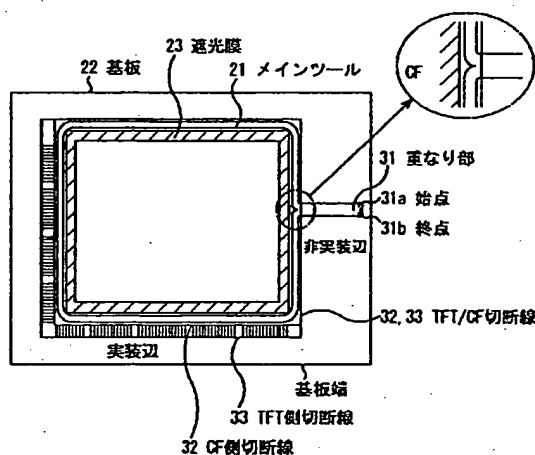
84 受け皿

【図1】



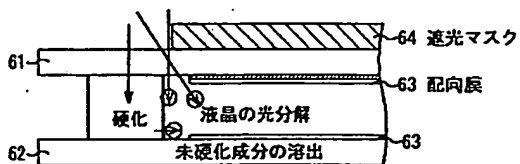
液晶表示装置の断面図

【図2】



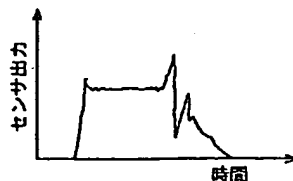
第1の実施形態

【図9】



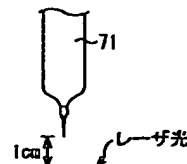
従来例1.2

【図14】

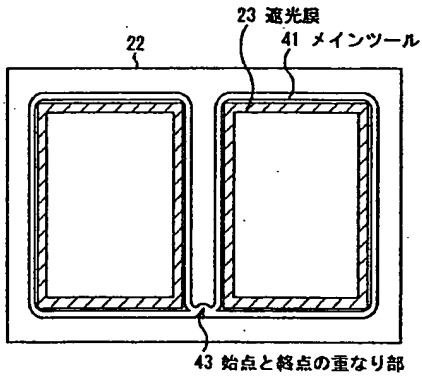


データロガー出力例

【図15】

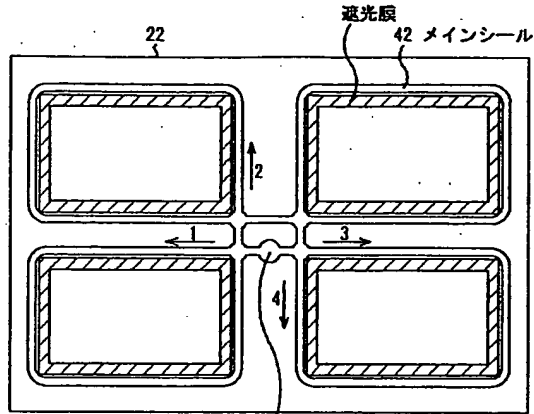


【図3】



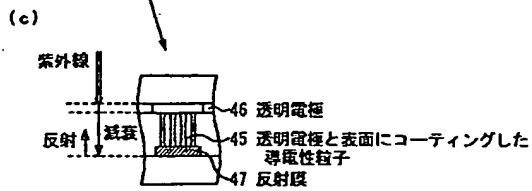
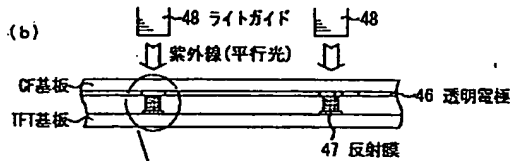
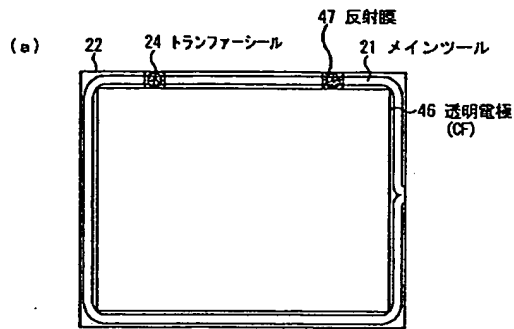
変形例1

【図4】



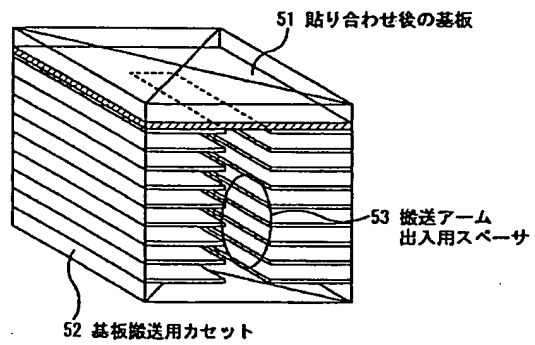
変形例1

【図5】



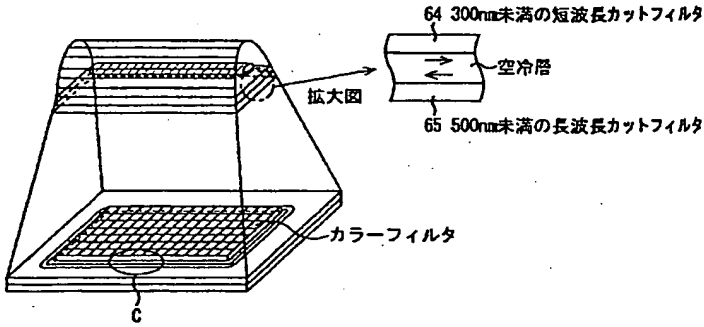
変形例2

【図6】



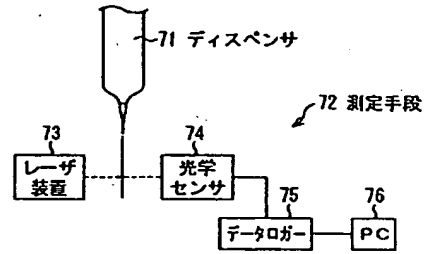
変形例3

【図7】



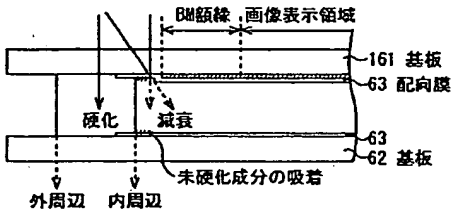
第2の実施形態

【図13】



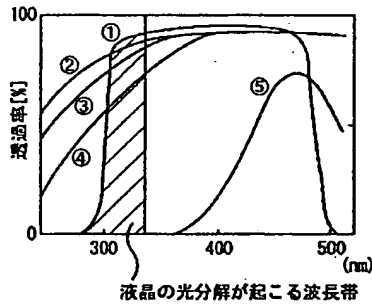
第3の実施形態

【図8】



第2の実施形態

【図10】

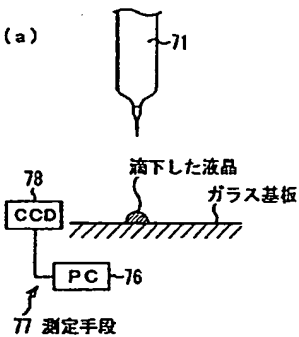


液晶の光分解が起こる波長帯

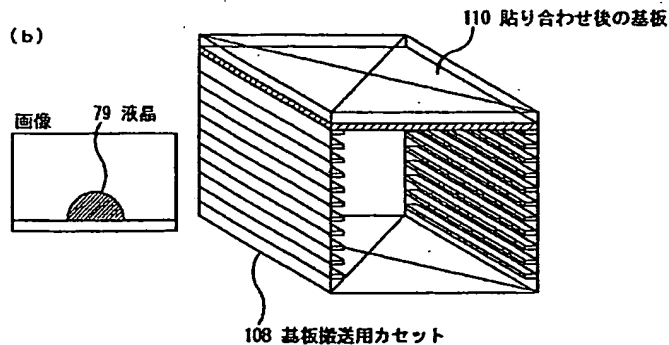
- ①長短カットフィルタの透過特性
- ②ガラス基板の透過特性
- ③配向膜を付加した場合の透過特性
- ④透明電極および配向膜を付加した場合の透過特性
- ⑤カラーフィルタの透過特性

透過率の波長依存性

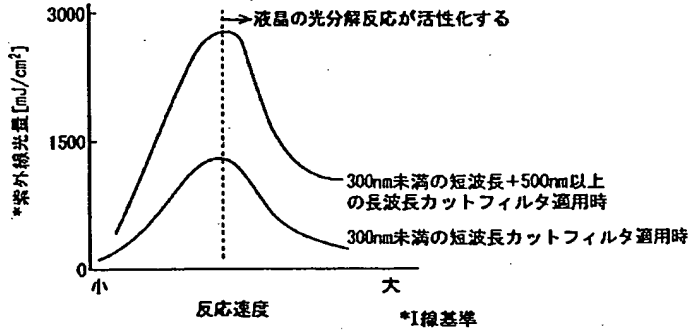
【図16】



【図25】

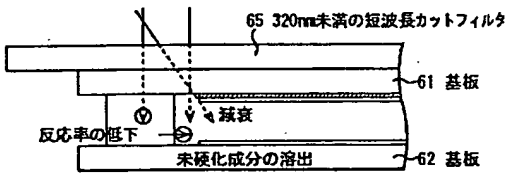


【図11】

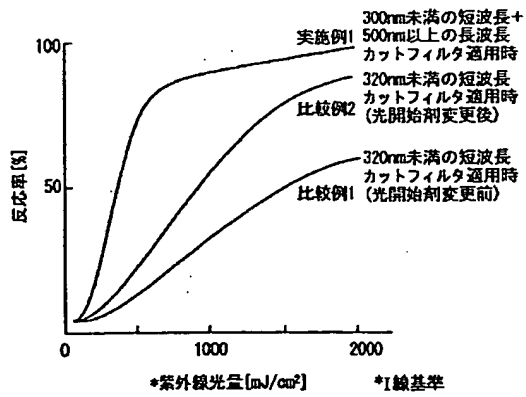


液晶の光分解反応概念図

【図12】



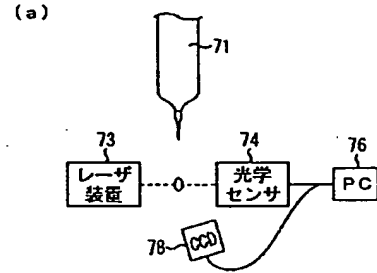
比較例1.2



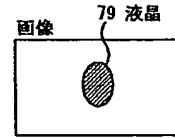
紫外線光量と反応率の関係

比較例1.2

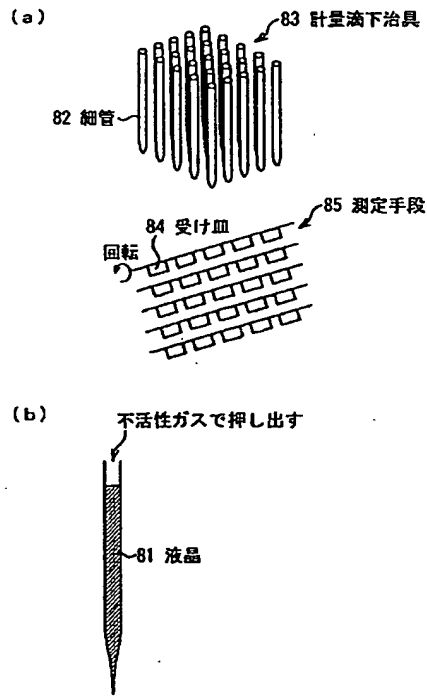
【図17】



(b)

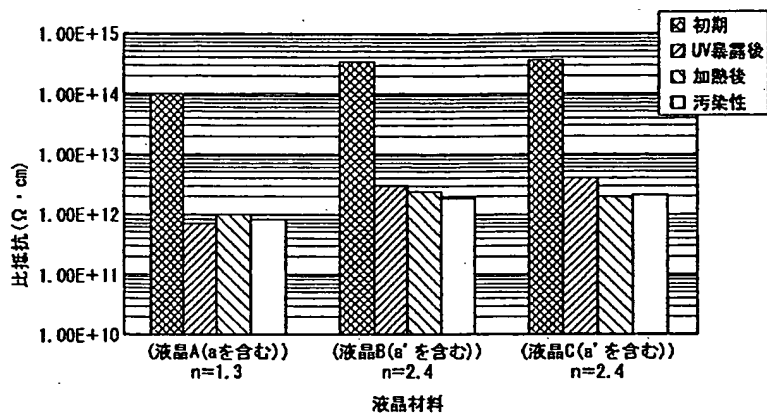


【図18】

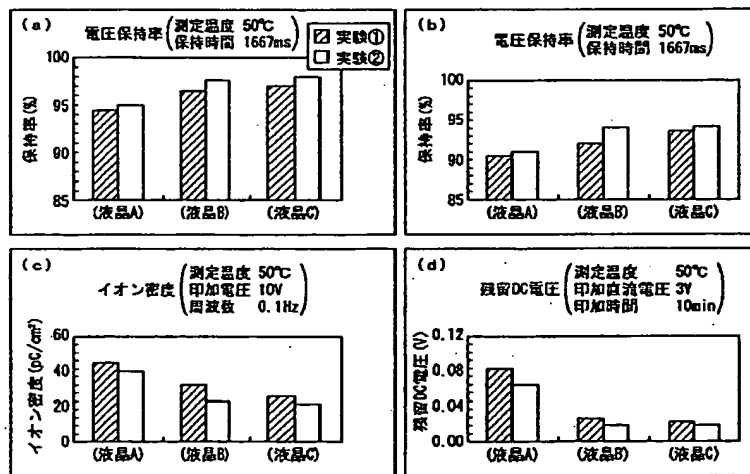


【図19】

比抵抗の比較



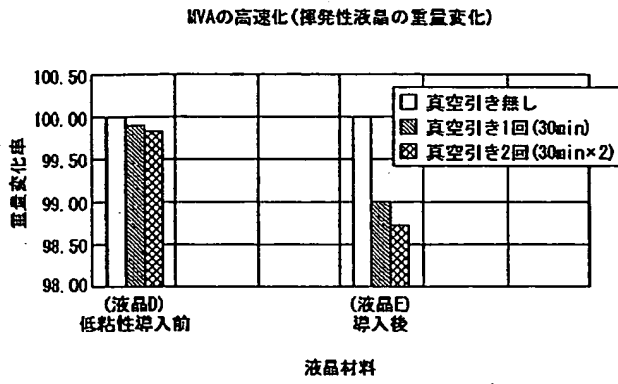
【図20】



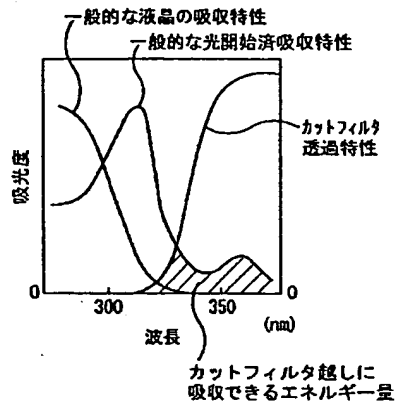
MVA評価セル

実験①: 同一ロットの3種類の液晶A~C
 実験②: 同一ロットの3種類の液晶A~C

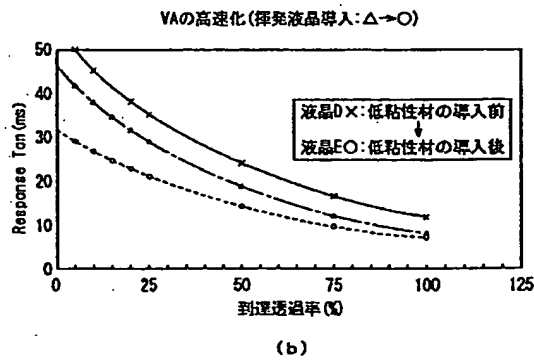
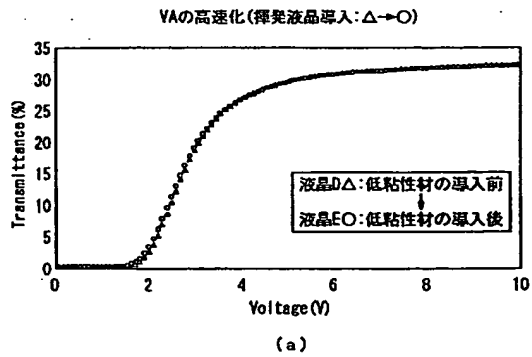
【図21】



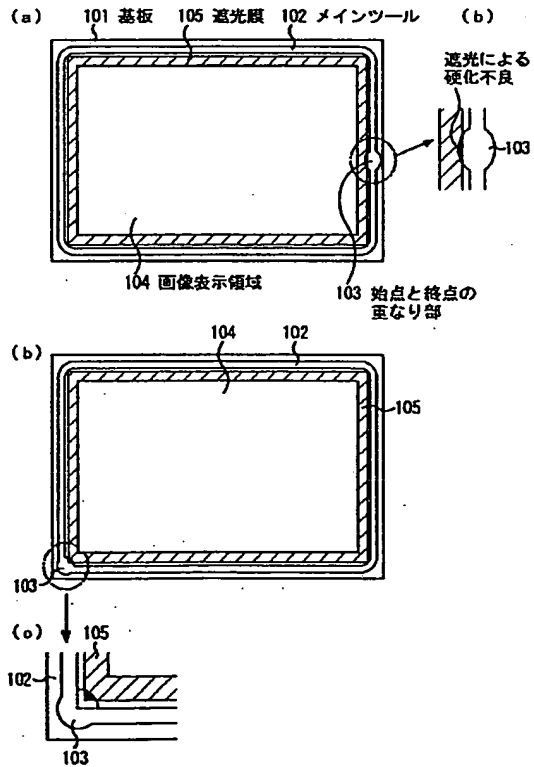
【図28】



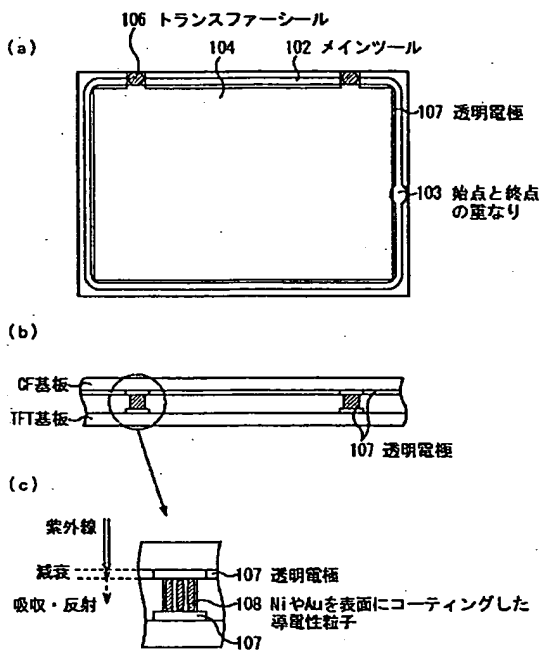
【図22】



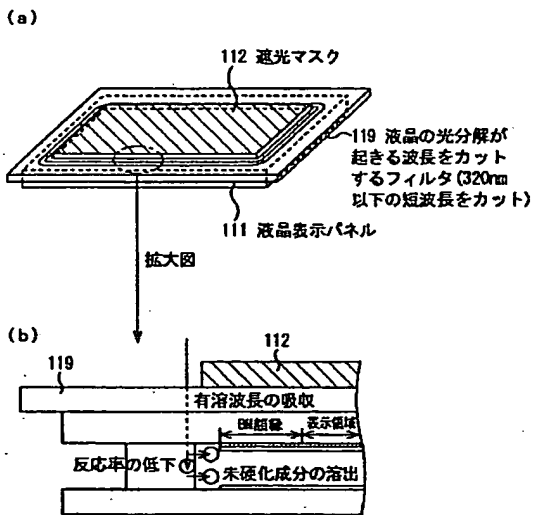
【図23】



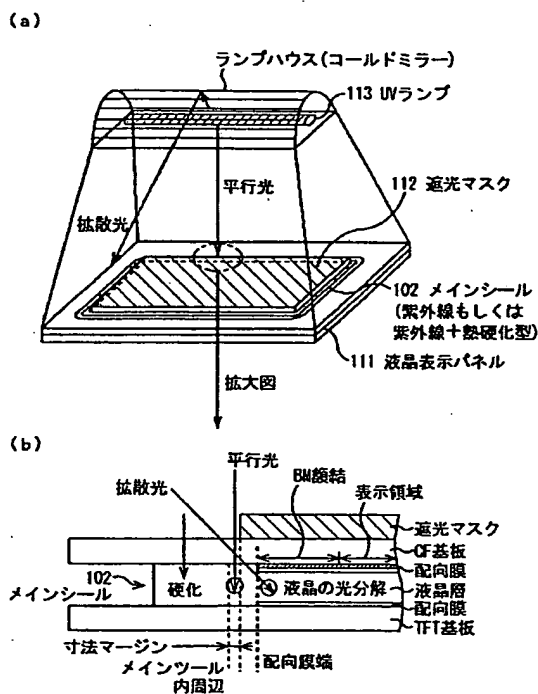
【図24】



【図27】



【図26】



フロントページの続き

(72) 発明者 津田 英昭
 神奈川県川崎市中原区上小田中4丁目1番
 1号 富士通株式会社内

(72) 発明者 中村 公昭
 神奈川県川崎市中原区上小田中4丁目1番
 1号 富士通株式会社内

(25) 102-122870 (P2002-肝70)

Fターム(参考) 2H089 LA03 LA07 LA41 NA22 NA35
NA44 NA45 PA04 TA02 TA09
TA13
2H092 GA36 GA39 HA04 JA24 NA01
NA29 PA04 PA09
4H027 BD03 BD08 CM05